

**APPLICATION**

- Recommended for constant or variable air volume heating, cooling, or ventilating
- Specific throw patterns to match room configuration – adjustable blades allow proportioning of air in specific directions
- Air discharge pattern adjustable for spread and throw distance/direction
- Ceiling or sidewall installation
- Surface mounted or suspended grid systems

**PRODUCT FEATURES**

- All extruded aluminum construction
- 9 specific patterns for 1,2,3, & 4 way discharge directions
- Individually adjustable blades tensioned by music wire
- Registers include a factory attached, extruded aluminum opposed blade volume control damper
- Mounting holes in frame neatly countersunk for supplied oval head screws (excluded on lay-in models)
- White baked-on finish
- Minimum size 6 x 4 up to 36 x 36 maximum

**GRILLE OPTIONS**

- 304 or 316 stainless steel construction with satin polish finish, see page D-9
- Factory applied gasket material to frame
- Custom or optional paint colors
- Satin anodize finish
- Model TBF tee bar frame

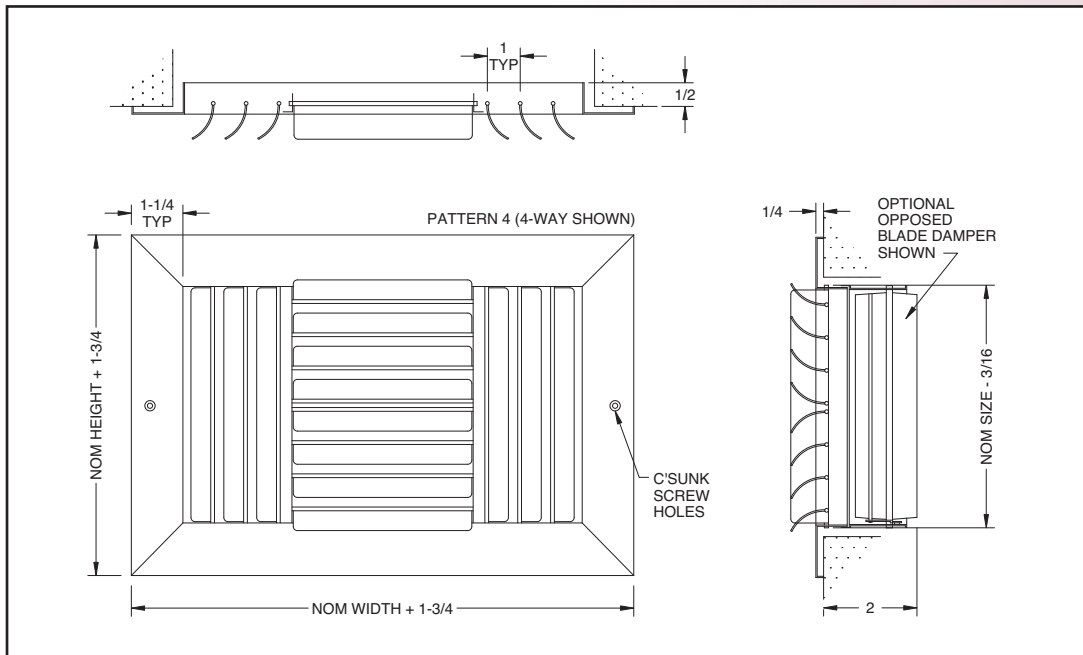


**Model 1C**  
Pattern 3S Shown

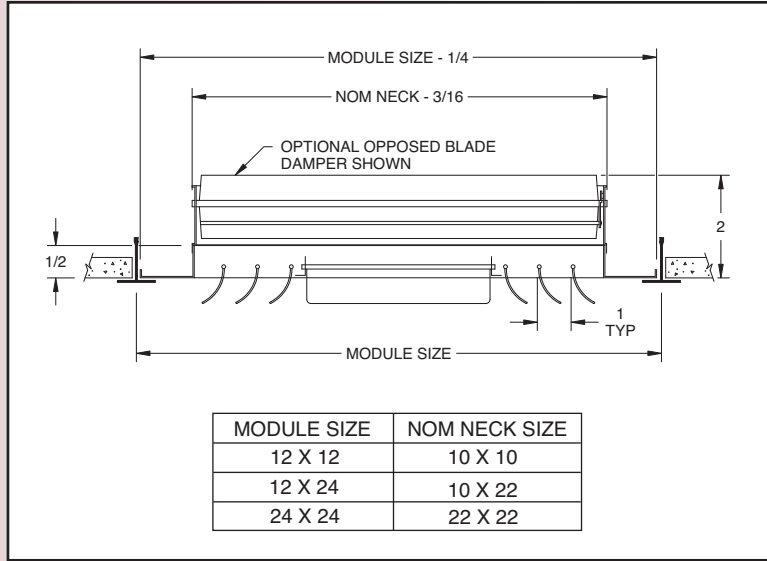


<ul style="list-style-type: none"> <li>• <b>Model 1C</b> Grille with Screw Holes for Surface Mounting</li> </ul>	<ul style="list-style-type: none"> <li>• <b>Model 1CL</b> Grille for Lay-In T-bar</li> </ul>
<ul style="list-style-type: none"> <li>• <b>Model 1C-DA</b> Register with Screw Holes for Surface Mounting Aluminum Opposed Blade Damper</li> </ul>	<ul style="list-style-type: none"> <li>• <b>Model 1CL-DA</b> Register for Lay-In T-bar Aluminum Opposed Blade Damper</li> </ul>

**SURFACE MOUNTED • MODEL 1C**



**MODEL 1CL** - Lay-In T-Bar (grille - no screw holes)



**MODEL 1CLP** - Lay-In T-Bar with Extension Panel

