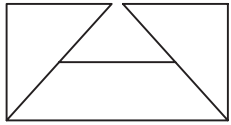


SUBMITTAL SHEET

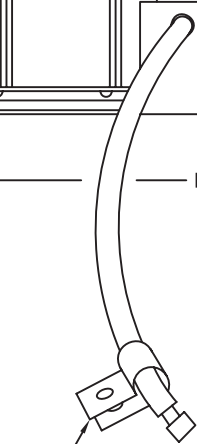
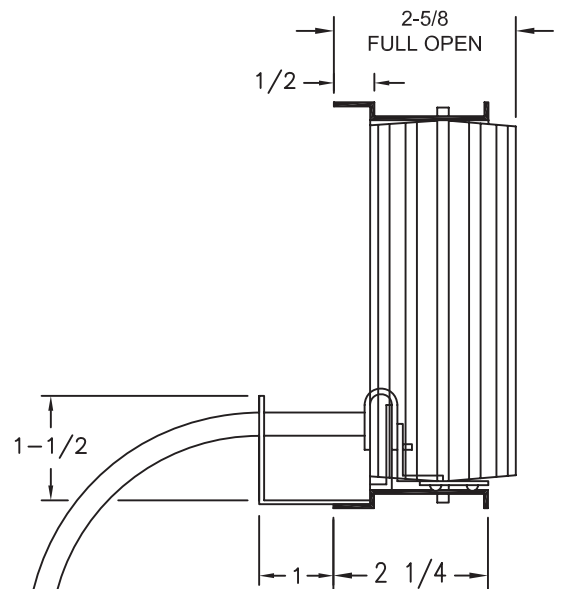
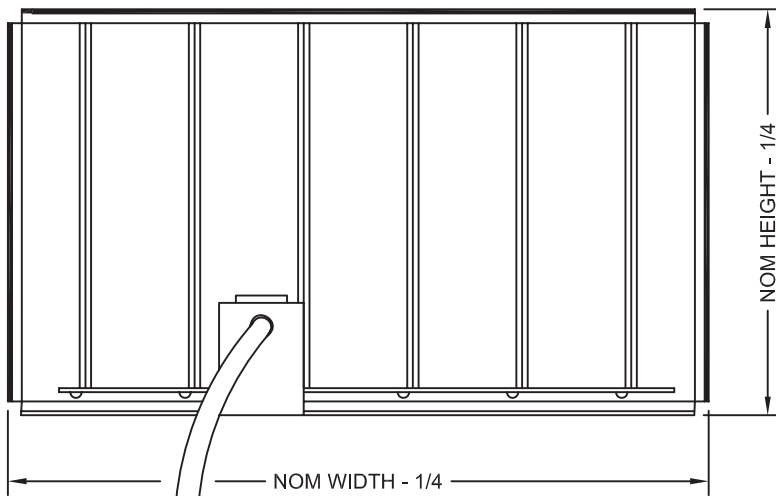


from: **ANEMOSTAT**®

CARSON CA  
310-835-7500

MODEL  
**OB-7**  
CABLE OPERATED  
OPPOSED BLADE  
DAMPER

- 1/8" HEX KEY OPERATED OPPOSED BLADE DAMPER (HEX KEY NOT PROVIDED)
- 18" CABLE LENGTH IS STD AND MAXIMUM LENGTH AVAILABLE
- MAX WIDTH X HEIGHT = 14" X 14"
- COATED STEEL IS STANDARD  
AVAILABLE IN STAINLESS STEEL OR ALUMINUM  
(NOTE: FOR ALUMINUM CONSTRUCTION, TENSION WIRE IS STN STEEL)
- SPECIFY USE IF ORDERED SEPARATE FROM PRODUCT



(2) CABLE CLAMPS  
(SHIPPED LOOSE)

3/8"OD FLEXIBLE  
CABLE (18" LENGTH STD)

REMOTE  
OPERATOR  
(1/8" HEX KEY)

All Dimensions are in Inches

JOB NAME:	SUBMITTED BY:	
LOCATION:		
ARCHITECT:		
ENGINEER:		DWG # ACC-0400
CONTRACTOR:		DATE 08.14.08 REV B