

# Anemostat® SUBMITTAL

1220 Watson Center Road • Carson, CA 90745-4206  
(310) 835-7500 • FAX (310) 835-0448  
airhelp@anemostat.com • www.anemostat.com

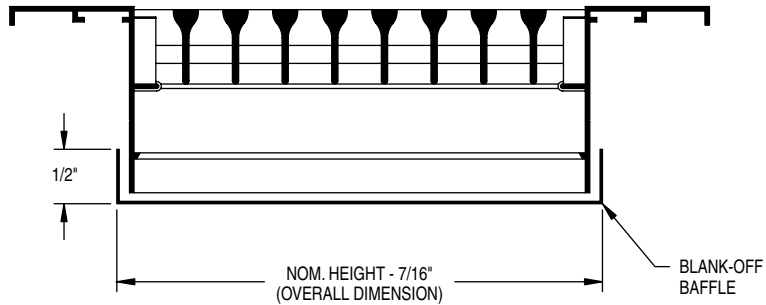
## Model **ALBO** ALUMINUM LINEAR BAR GRILLE BLANK-OFF BAFFLE

### GRILLES & REGISTERS

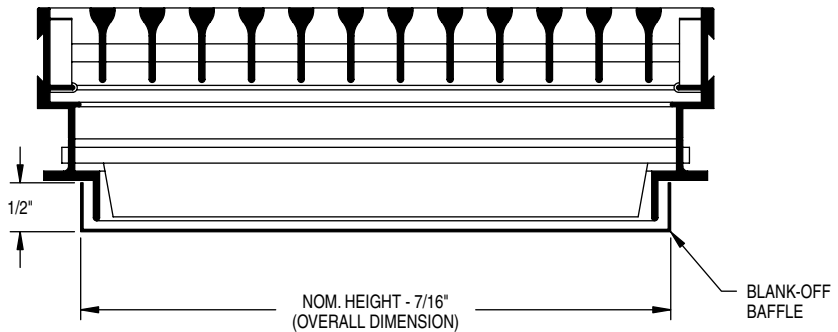
#### PRODUCT FEATURES

- 24 GA steel construction.
- Painted flat black.
- 48" long sections.
- Field installed. Ships loose.
- Must specify border / outer frame type.

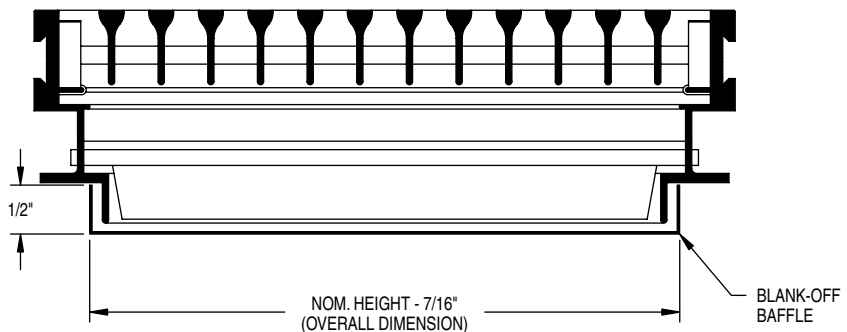
- #6 BORDER (shown)
- #7 BORDER
- #9 BORDER



- FG BORDER



- FH BORDER



All dimensions are in inches.

JOB NAME:

SUBMITTED BY: