

### PRODUCT FEATURES

- "Plaster in Place" BF frame for high end appearance
- Extruded aluminum construction
- Lengths to 120" for full sections.  
Unlimited length continuous runs (96" max sections) using frame alignment strips
- Alignment hardware shipped loose
- Core construction – see Core Options

### CONSTRUCTION DETAILS

Material: Extruded Aluminum

Finish:

- Arctic White Baked Finish
- Natural Anodize
- Custom Color \_\_\_\_\_

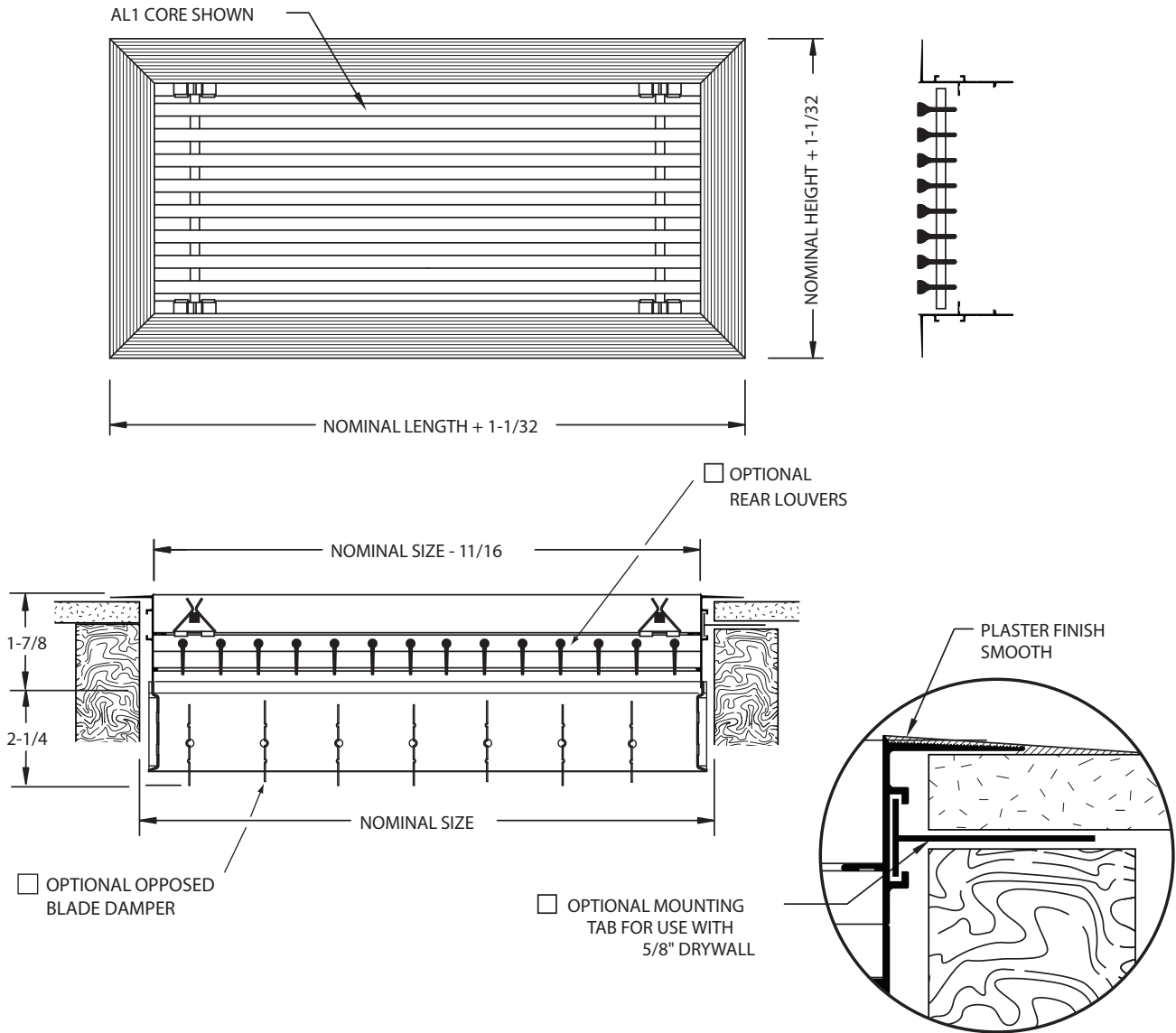
### CORE CONSTRUCTION

See Core Options submittal sheet

### ACCESSORIES

- OB-1-ST Opposed Blade Damper (Steel)
- OB-1-AL Opposed Blade Damper (Alum)

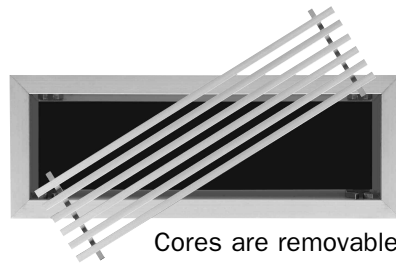
(NOTE: Opposed Blade Dampers available when Nominal Height is 4" or greater. Flap damper is used when less than 4")



All dimensions are in inches.

JOB NAME:

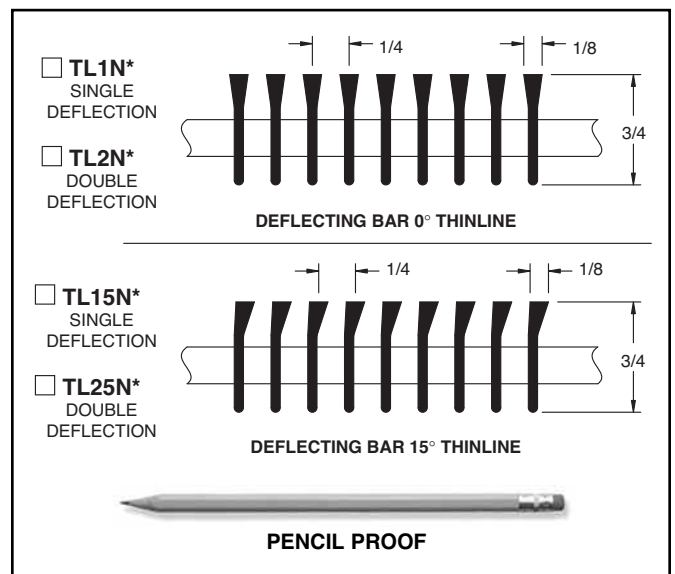
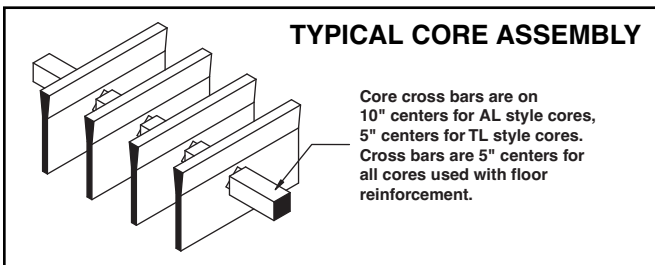
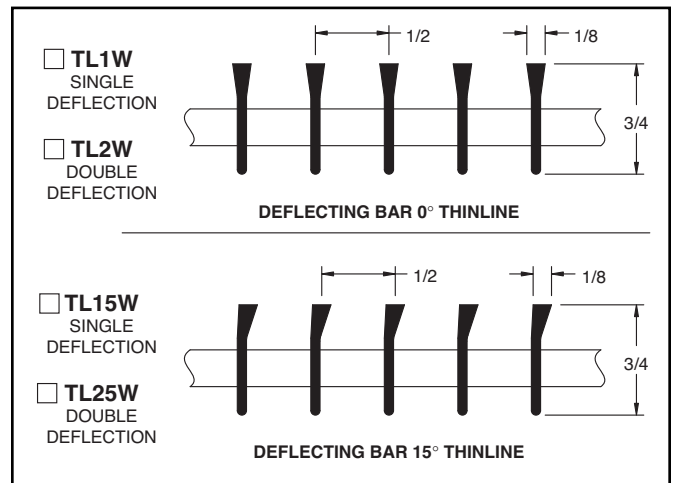
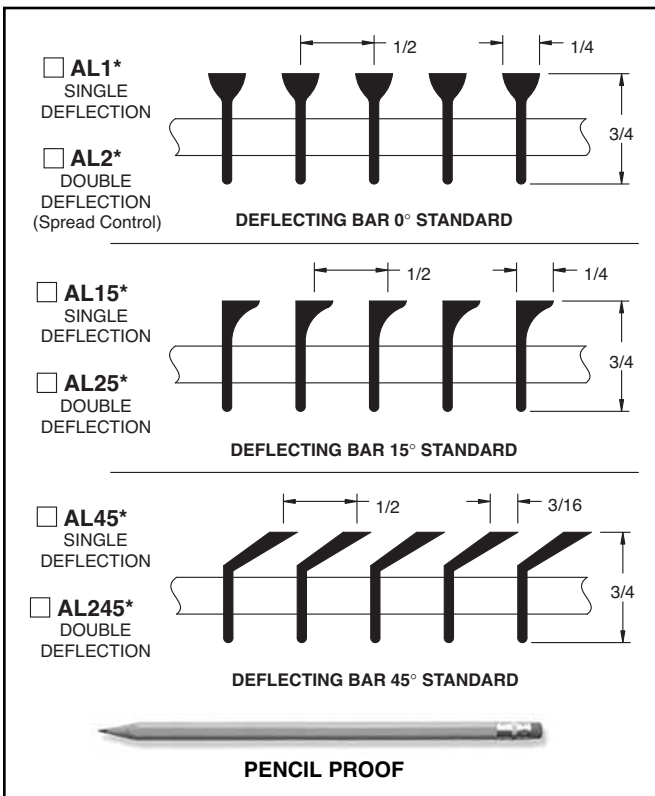
SUBMITTED BY:



Cores are removable

**PRODUCT FEATURES**

- Extruded aluminum construction
- (7) Cores to choose from for appearance and deflection angle
- Removable core is standard on heights to 18"
- Non-removable core on heights over 18" (welded)
- Double deflection option includes rear louvers (individually adjustable) for spread control



\*PENCIL PROOF: Models AL1, AL2, AL15, AL25, AL45, AL245, TL1N, TL2N, TL15N, TL25N are pencil proof

All dimensions are in inches.

JOB NAME:

SUBMITTED BY: