



Anemostat® SUBMITTAL

1220 Watson Center Road • Carson, CA 90745-4206
 (310) 835-7500 • FAX (310) 835-0448
 airhelp@anemostat.com • www.anemostat.com

Model **ATHCR**
ANEMOTHERM
VAV SUPPLY DIFFUSER
 HEATING & COOLING with RELIEF COLLAR
 NOMINAL 24 X 24

DIFFUSERS

PRODUCT FEATURES

- Intelligent VAV heating and cooling supply air diffuser
- 360° air delivery pattern
- Variable geometry diffuser maintains high discharge velocities at low flow conditions
- Relief collar (field installed) to direct excess air into ceiling plenum
- Integral, independent heating and cooling thermostats and VAV damper
- Thermostats factory set at 74° F, adjustable from 72° to 78°F
- No tools required for temperature setpoint adjustment.

CONSTRUCTION DETAILS

Material:

- Cold Rolled Steel (std)
- Aluminum (opt)
- 304 Stainless Steel (opt)

Finish:

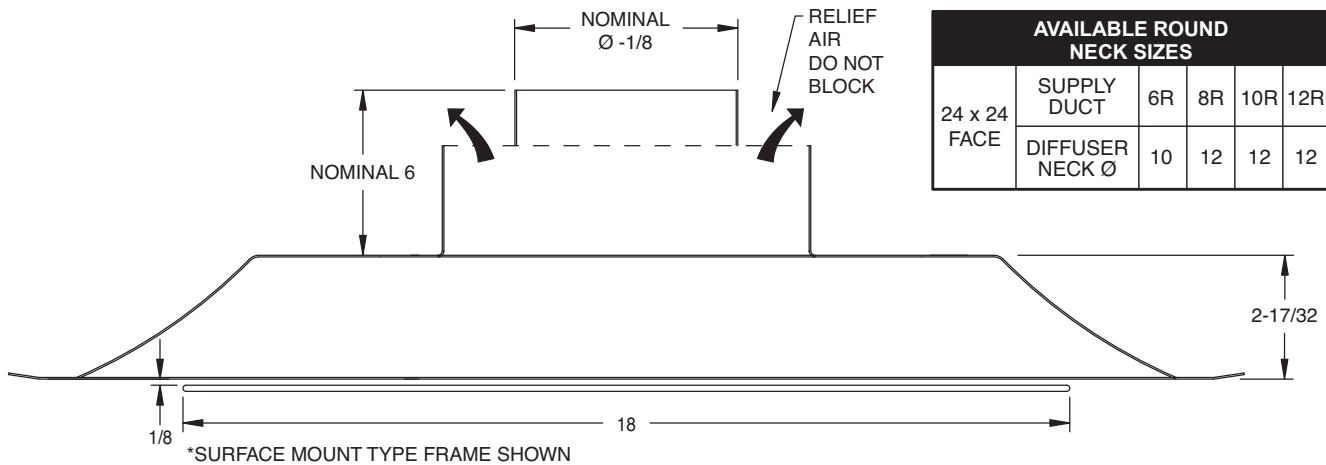
- White (std)
- Custom Colors (opt)

MODELS

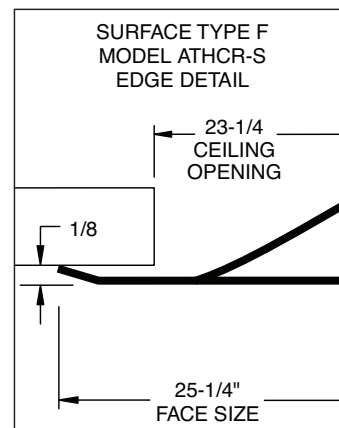
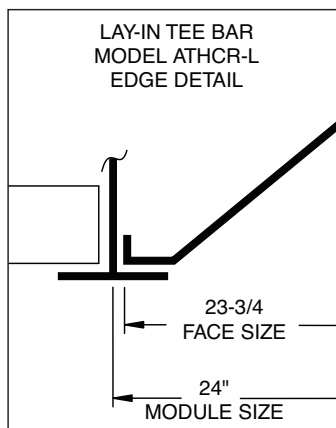
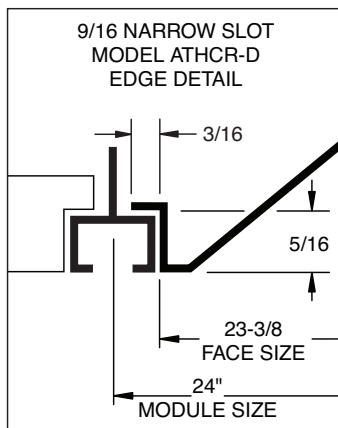
- ATHCR-D** 9/16" Narrow Slot
- ATHCR-L** Lay-In T-Bar
- ATHCR-S** Surface Mount

DISCHARGE PATTERN

- 1 Way
- 2 Way Opposite
- 2 Way Corner
- 3 Way
- 4 Way



AVAILABLE ROUND NECK SIZES					
24 x 24 FACE	SUPPLY DUCT	6R	8R	10R	12R
	DIFFUSER NECK Ø	10	12	12	12



All dimensions are in inches.

JOB NAME:

SUBMITTED BY: