

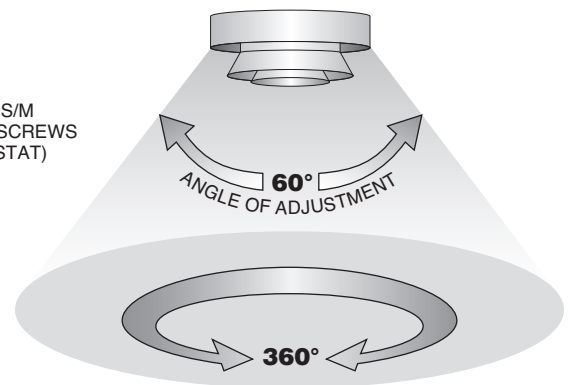
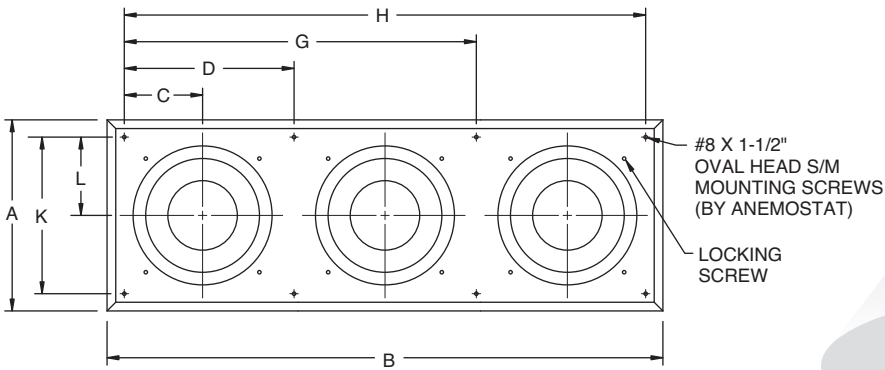
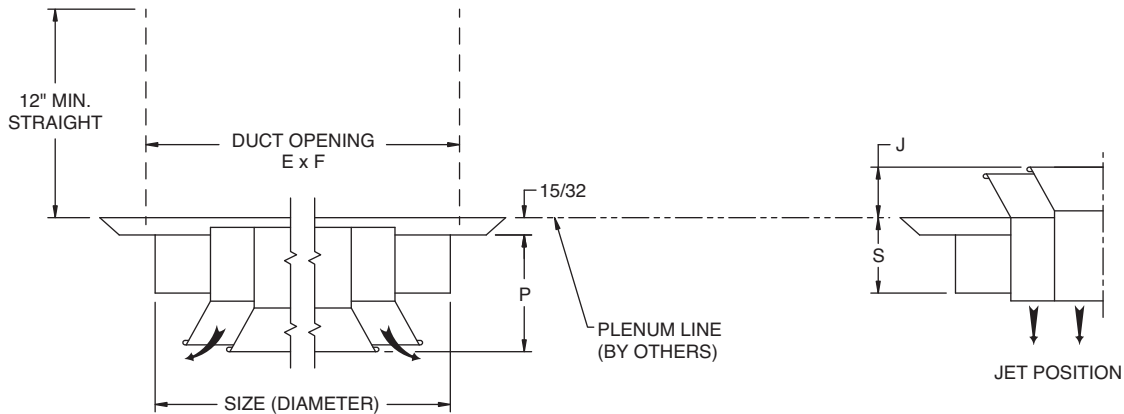
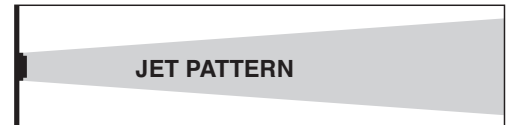


PRODUCT FEATURES

- Reversible, rotating nozzle provides a long throw jet pattern, or diffused, short throw pattern – without using volume dampers
- Field adjustable pattern and direction – from the face of the outlet
- Directional control within a 60° arc
- 8", 10", 12", 15" diameter nozzles

CONSTRUCTION FEATURES

- Material:**
- Steel
 - Aluminum
- Finish:**
- Arctic White
 - Custom Color : _____



DJ - 3													
SIZE	A	B	E	F	J	P	S	C	D	G	H	K	L
8"	11	33	8-1/2	30-1/2	1-1/4	3	2	4-1/2	10	21	31	9	4-1/2
10"	13-3/4	39-1/4	10-1/2	36	1-3/4	4-1/4	2-1/4	5-11/16	12-1/16	24-13/16	36-7/8	11-3/8	5-11/16
12"	16-1/2	45-1/2	12-1/2	41-1/2	3	4-3/4	2-1/2	6-7/8	14-1/8	28-5/8	42-3/4	13-3/4	6-7/8
15"	18	54	15-1/2	51-1/2	4	5-3/4	3-3/8	8-1/8	17-1/8	35-1/8	52-1/4	16-1/4	8-1/8

All dimensions are in inches.

JOB NAME:

SUBMITTED BY: