

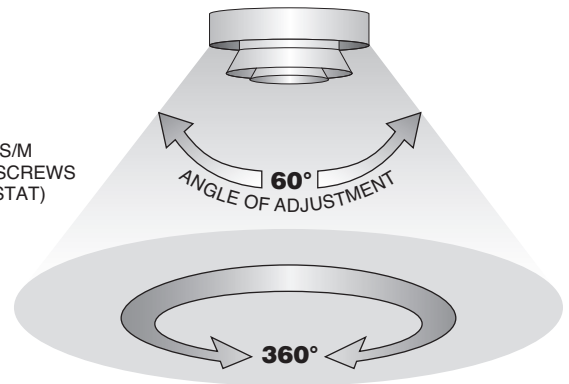
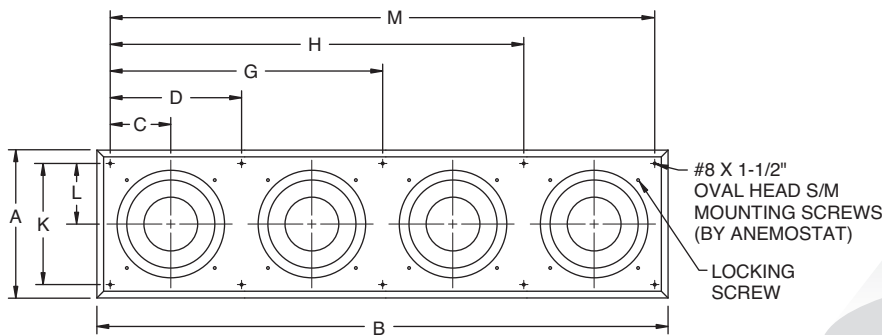
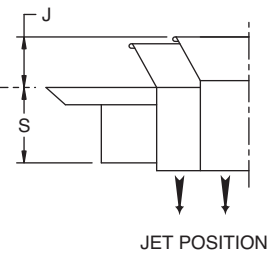
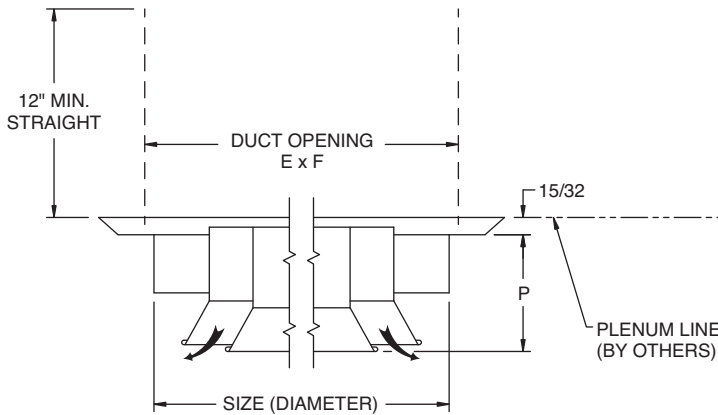
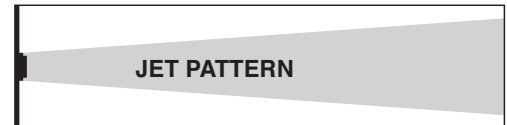


PRODUCT FEATURES

- Reversible, rotating nozzle provides a long throw jet pattern, or diffused, short throw pattern – without using volume dampers
- Field adjustable pattern and direction – from the face of the outlet
- Directional control within a 60° arc
- 8", 10", 12", 15" diameter nozzles

CONSTRUCTION FEATURES

- Material:**
- Steel
 - Aluminum
- Finish:**
- Arctic White
 - Custom Color : _____



DJ - 4														
SIZE	A	B	E	F	J	P	S	C	D	G	H	M	K	L
8"	11	44	8-1/2	41-1/2	1-1/4	3	2	4-1/2	10	21	32	42	9	4-1/2
10"	13-3/4	51-3/4	10-1/2	48-1/2	1-3/4	4-1/4	2-1/4	5-21/32	12-13/32	24-13/16	37-7/32	49-5/8	11-3/8	5-11/16
12"	16-1/2	59-1/2	12-1/2	55-1/2	3	4-3/4	2-1/2	6-7/8	14-1/8	28-5/8	43-1/8	57-1/4	13-3/4	6-7/8
15"	18	71-1/2	15-1/2	69	4	5-3/4	3-3/8	7-7/8	16-7/8	34-7/8	52-7/8	69-3/4	16-1/4	8-1/8

All dimensions are in inches.

JOB NAME:

SUBMITTED BY: