



Anemostat®

SUBMITTAL

A MESTEK COMPANY

1220 Watson Center Road • Carson, CA 90745-4206
 (310) 835-7500 • FAX (310) 835-0448
 air@anemostat.com • www.anemostat.com

Model **EV-22**
SQUARE 3-CONE DIFFUSER
 24 X 24 VECTOR STYLE CEILING

DIFFUSERS

PRODUCT FEATURES

- 360° horizontal air pattern
- Adjustment of optional damper thru center cone
- Removable inner cone assembly

CONSTRUCTION DETAILS

Material: 22 GA Cold Rolled Steel (std)

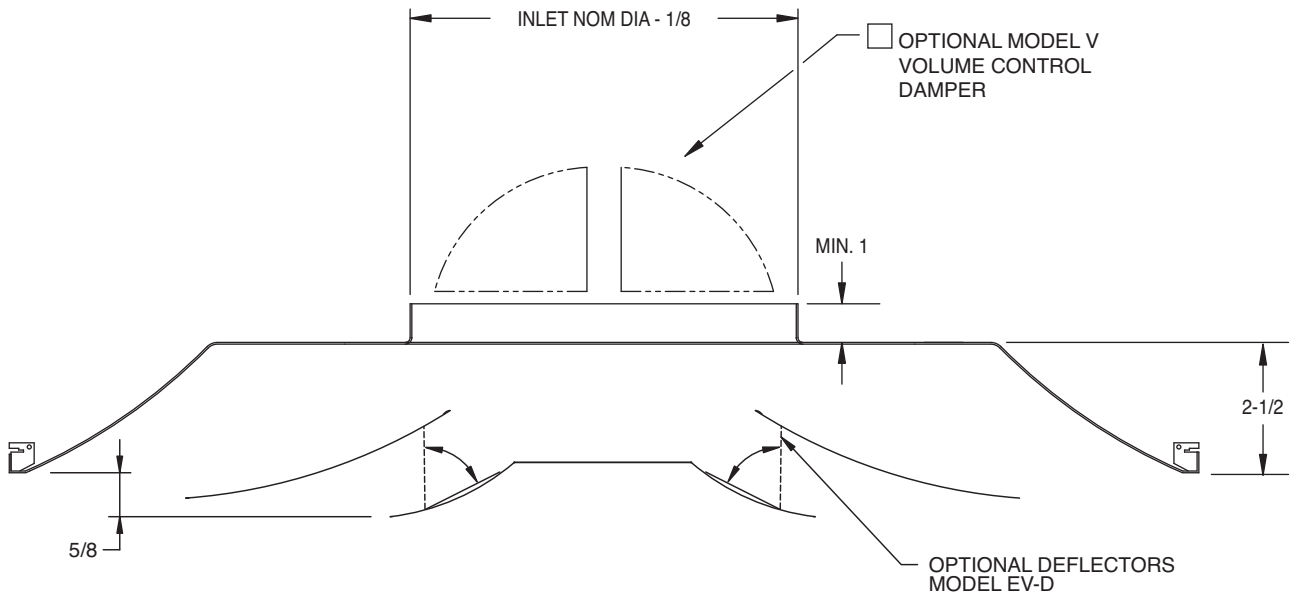
- 18 GA Aluminum (opt)
- 22 GA 304 Stainless Steel (opt)
(24 X 24 (610 X 610) only)

Finish: White (std)

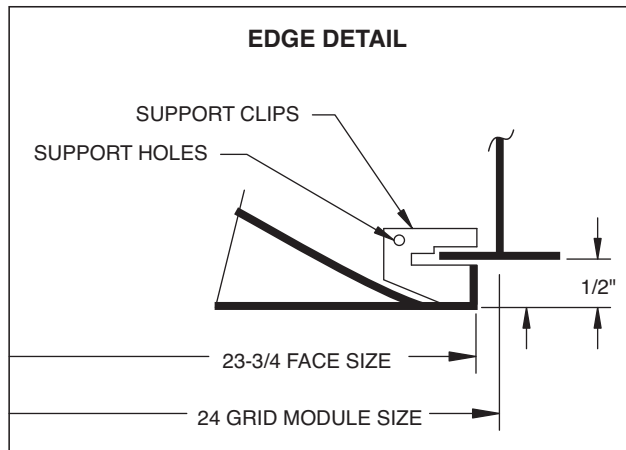
- Custom Colors (opt)

MODELS

- EV**
- EV-D** With Deflectors for Horizontal Pattern Control (1, 2, 3, 4 Way)



AVAILABLE INLET SIZES
4Ø
5Ø
6Ø
8Ø
10Ø
12Ø
14Ø
15Ø



All dimensions are in inches.

JOB NAME:

SUBMITTED BY: