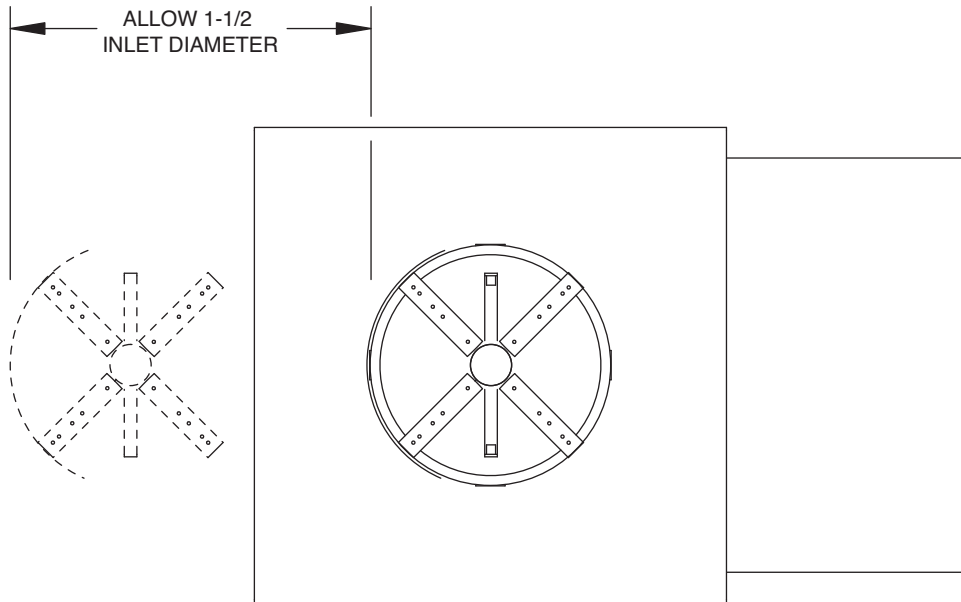


# REMOVABLE VELOCITY WING SENSOR

## PRODUCT FEATURES

- Available in round inlet sizes:  
5", 6", 7", 8", 9", 10", 12", 14", 16"
- It's easy to inspect, clean, or replace the Velocity Wing sensor
- The sensor is removable from the air terminal without disconnecting duct work
- The removable sensor plate includes gaskets
- Removal side is opposite the control side as standard



INLET VIEW

All dimensions are in inches.

JOB NAME:

SUBMITTED BY: