

# SUBMITTAL SHEET

www.anemostat-hvac.com

**PRODUCT FEATURES**

- Adjustable volume and pattern controllers
- Flush mounting

**CONSTRUCTION FEATURES**

- Material:**  
Extruded aluminum
- Finish:**
- Arctic White  
(Black Pattern/Volume Controllers)
  - Natural Anodize  
(Black Pattern/Volume Controllers)
  - Custom Color : \_\_\_\_\_

**SUPPLY MODELS**

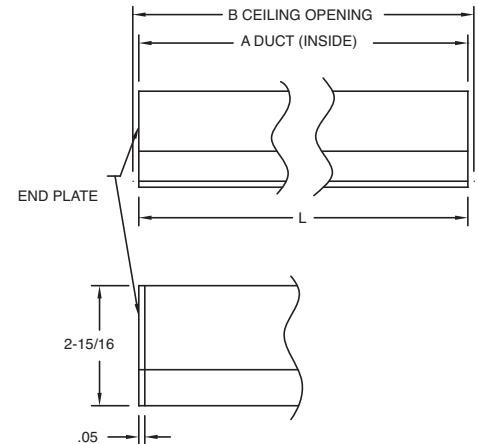
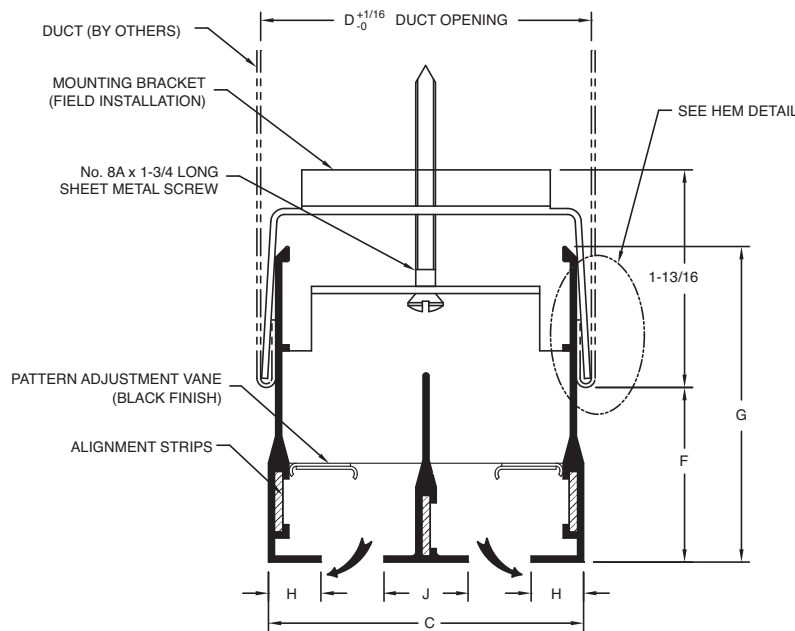
- FF-W-100** 1" Slot Width (1-4 slots)
- FF-W-150** 1-1/2" Slot Width (1-4 slots)

**RETURN MODELS (No Internal Controllers)**

- FFR-W-100** 1" Slot Width (1-4 slots)
- FFR-W-150** 1-1/2" Slot Width (1-4 slots)

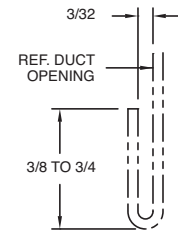
**OPTIONS**

- LEC** Linear Egg Crate
- LED** Linear Equalizing Deflector

**2 SLOT SHOWN**


"L"-NOMINAL LENGTH  
(24,36,48 AND 60)  
 "A"-LENGTH OF DUCT  
(NOMINAL LENGTH + 3/32)  
 "B"-LENGTH OF CEILING OPENING  
(NOMINAL LENGTH + 1/8)

DIFFUSER SIZE	FF-W-100 1" SLOT WIDTH						FF-W-150 1-1/2" SLOT WIDTH						
	C	D	F	G	H	J	C	D	F	G	H	J	
1	2-3/16	2-3/8	2 TO 2-3/4	3-9/32	19/32	1	-	3-3/16	3-5/16	2-7/8 TO 3-5/8	4-5/32	27/32	-
2	4-3/16	4-3/8					6-3/16	6-5/16	1-1/2				
3	6-3/16	6-3/8					9-3/16	9-5/16					
4	8-3/16	8-3/8					12-3/16	12-5/16					



**HEM DETAIL**  
 Duct must be hemmed as shown (On sides only)

All dimensions are in inches.

**JOB NAME:**
**SUBMITTED BY:**