



Anemostat[®]
SUBMITTAL
 A MESTEK COMPANY

1220 Watson Center Road • Carson, CA 90745-4206
 (310) 835-7500 • FAX (310) 835-0448
 air@anemostat.com • www.anemostat.com



Model F30
HINGED RETURN FILTER GRILLE
 45° DEFLECTION
 3/4" BLADE SPACING
 LAY-IN T-BAR

GRILLES & REGISTERS

PRODUCT FEATURES

- 3/4" Louver Spacing
- Piano Hinge Construction
- 1/4-Turn Latch(es). Qty=2 on size 24" & up
- Core deflection opposite hinge side as shown (default, as applicable)
- Louvers parallel to short or long dimension
- Recommended Filter Size (Actual) = Grid Module Size -3-1/8"

CONSTRUCTION DETAILS

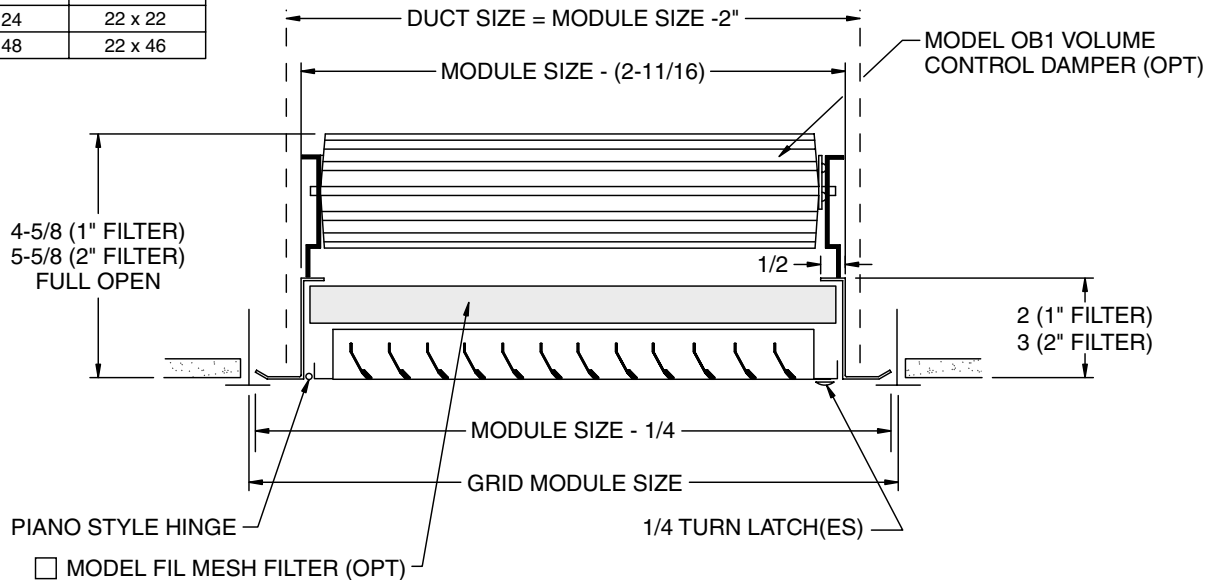
Material:

- Steel
- 304 Stainless Steel

Finish:

- Arctic White
- Satin Polish
- Custom Color _____

AVAILABLE SIZES	
MODULE SIZE	DUCT SIZE
12 x 12	10 x 10
12 x 24	10 x 22
24 x 24	22 x 22
24 x 48	22 x 46



MODEL	FILTER SIZE	TYPE	BLADE DIR.	DEFL.	DUCT (W X H)	APPLICATION	MODULE
F30	1L	H	L	45	22.00 / 22.00	L	22
3/4" Blade Spacing	1 1" Filter 2 2" Filter 1S 1" Filter, Hinge on Short Dim. 1L 1" Filter, Hinge on Long Dim. 2S 2" Filter, Hinge on Short Dim. 2L 2" Filter, Hinge on Long Dim.	Hinged Core	- N/A (Sq.) L Long Blade S Short Blade	45 45°		Inverted T-Bar, 15/16"	- N/A 11 12" x 12" 12 12" x 24" 22 24" x 24" 24 24" x 48"

Dimensions are in inches (millimeters).

JOB NAME:

SUBMITTED BY: