

# Anemostat®

## SUBMITTAL

A MESTEK COMPANY

1220 Watson Center Road • Carson, CA 90745-4206  
 (310) 835-7500 • FAX (310) 835-0448  
 air@anemostat.com • www.anemostat.com



**Model FE30**  
**HINGED RETURN FILTER GRILLE**  
**ENHANCED CAPACITY**  
**45° DEFLECTION**  
**3/4" BLADE SPACING**  
**TEGULAR**

## GRILLES & REGISTERS

### PRODUCT FEATURES

- 3/4" Louver Spacing
- Piano Hinge Construction
- 1/4-Turn Latch(es). Qty=2 on size 24" & up
- Core deflection opposite hinge side as shown (default, as applicable)
- Louvers parallel to short or long dimension
- Recommended Filter Size (Actual) = (Nom Width -1/2") x (Nom Height -1/2")

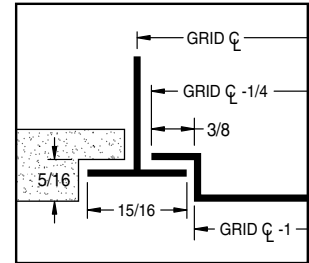
### CONSTRUCTION DETAILS

#### Material:

- Steel
- Aluminum

#### Finish:

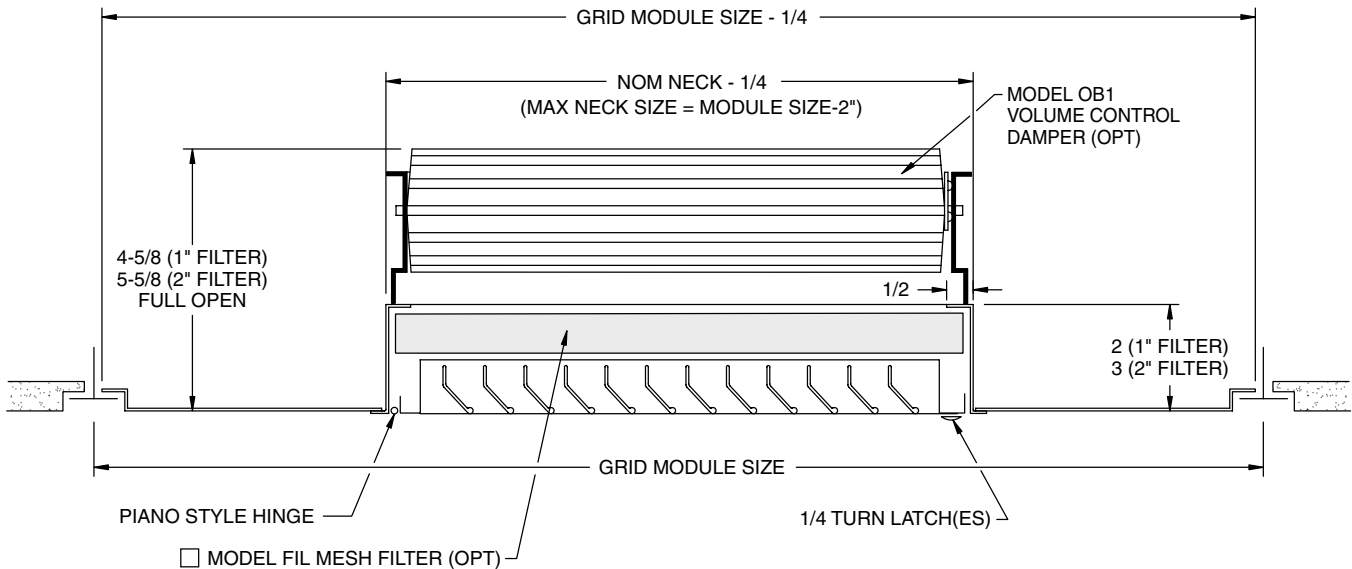
- Arctic White
- Satin Polish
- Custom Color \_\_\_\_\_



15/16" TEGULAR

#### AVAILABLE SIZES

MODULE SIZE	MAX NECK SIZE
12 x 12	10 x 10
12 x 24	10 x 22
24 x 24	22 x 22
24 x 48	22 x 46



MODEL	FILTER SIZE	TYPE	BLADE DIR.	DEFL.	DUCT (W X H)	APPLICATION	MODULE
<b>FE30</b>	<b>1L</b>	<b>H</b>	<b>L</b>	<b>45</b>	<b>12.00 / 12.00</b>	<b>T</b>	<b>22</b>
3/4" Blade Spacing	1 1" Filter 2 2" Filter 1S 1" Filter, Hinge on Short Dim. 1L 1" Filter, Hinge on Long Dim. 2S 2" Filter, Hinge on Short Dim. 2L 2" Filter, Hinge on Long Dim.	Hinged Core	- N/A (Sq.) L Long Blade S Short Blade	45°		Tegular	- N/A 11 12" x 12" 12 12" x 24" 22 24" x 24" 24 24" x 48"

Dimensions are in inches (millimeters).

JOB NAME:

SUBMITTED BY: