



Anemostat®
SUBMITTAL
 A MESTEK COMPANY

1220 Watson Center Road • Carson, CA 90745-4206
 (310) 835-7500 • FAX (310) 835-0448
 air@anemostat.com • www.anemostat.com



Model **FR3**
HINGED RETURN FILTER GRILLE
 ALUMINUM BAR GRILLE CORE
 (ROTO CORE TYPE)
 TEGULAR

GRILLES & REGISTERS

PRODUCT FEATURES

- Aluminum Bar Grille Core (Roto Core Style)
- Piano Hinge Construction
- 1/4-Turn Latch(es). Qty=2 on size 24" & up
- Concealed fastening thru neck of grille
- Recommended Filter Size (Actual) = (Nom Width -1/2") x (Nom Height -1/2")

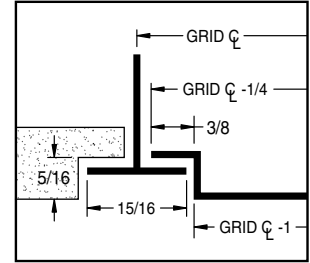
CONSTRUCTION DETAILS

Material:

- Steel
 Aluminum

Finish:

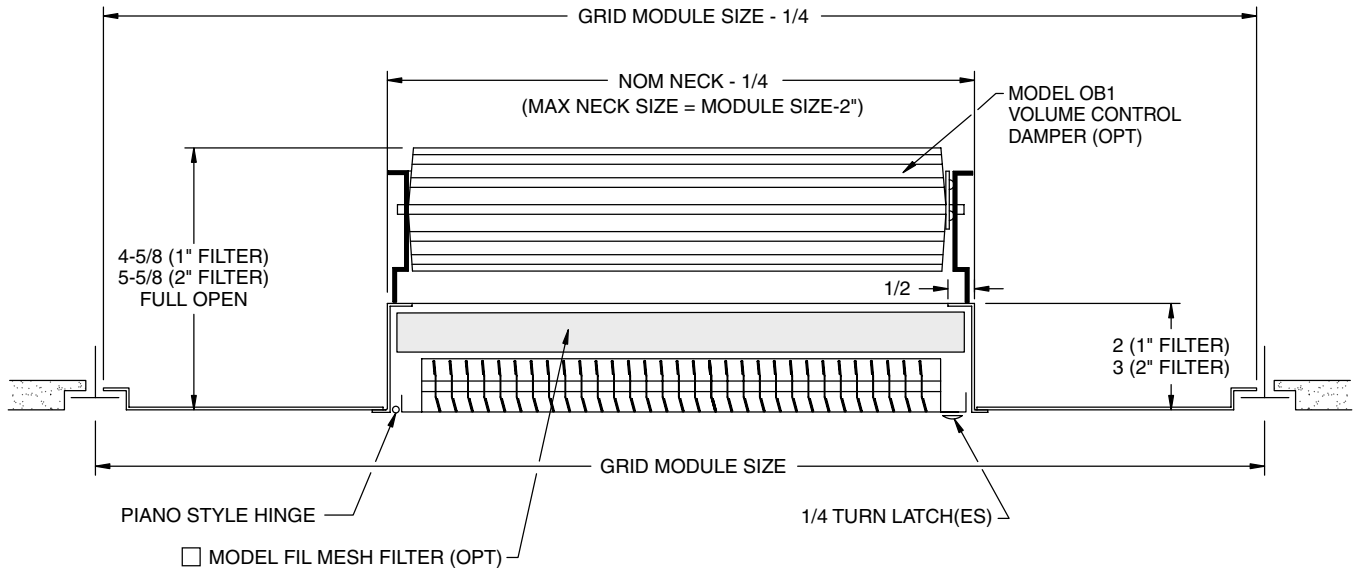
- Arctic White
 Satin Polish
 Custom Color _____



15/16" TEGULAR

AVAILABLE SIZES

MODULE SIZE	MAX NECK SIZE
12 x 12	10 x 10
12 x 24	10 x 22
24 x 24	22 x 22
24 x 48	22 x 46



MODEL	FILTER SIZE	TYPE	BLADE DIR.	DUCT (W X H)	APPLICATION	MODULE
FR3	1L	H	L	12.00 / 12.00	T	22
Aluminum Bar Grille Core	1 1" Filter 2 2" Filter 1S 1" Filter, Hinge on Short Dim. 1L 1" Filter, Hinge on Long Dim. 2S 2" Filter, Hinge on Short Dim. 2L 2" Filter, Hinge on Long Dim.	Hinged Core	- N/A (Sq.) L Long Blade S Short Blade		Tegular	- N/A 11 12" x 12" 12 12" x 24" 22 24" x 24" 24 24" x 48"

Dimensions are in inches (millimeters).

JOB NAME:

SUBMITTED BY: