



# Anemostat®

## SUBMITTAL

A MESTEK COMPANY

1220 Watson Center Road • Carson, CA 90745-4206  
 (310) 835-7500 • FAX (310) 835-0448  
 air@anemostat.com • www.anemostat.com



Model **FGC5**  
**HINGED RETURN FILTER GRILLE**  
 ALUMINUM GRID CORE  
 1/2" x 1/2" x 1/2"  
 LAY-IN T-BAR

## GRILLES & REGISTERS

### PRODUCT FEATURES

- Aluminum Grid Core, 1/2" x 1/2" x 1/2"
- Piano Hinge Construction
- 1/4-Turn Latch(es). Qty=2 on size 24" & up
- Concealed fastening thru neck of grille
- Sizes 6" x 4" to 48" x 48" maximum single piece construction
- Recommended Filter Size (Actual) = Grid Module Size -3-1/8"

### CONSTRUCTION DETAILS

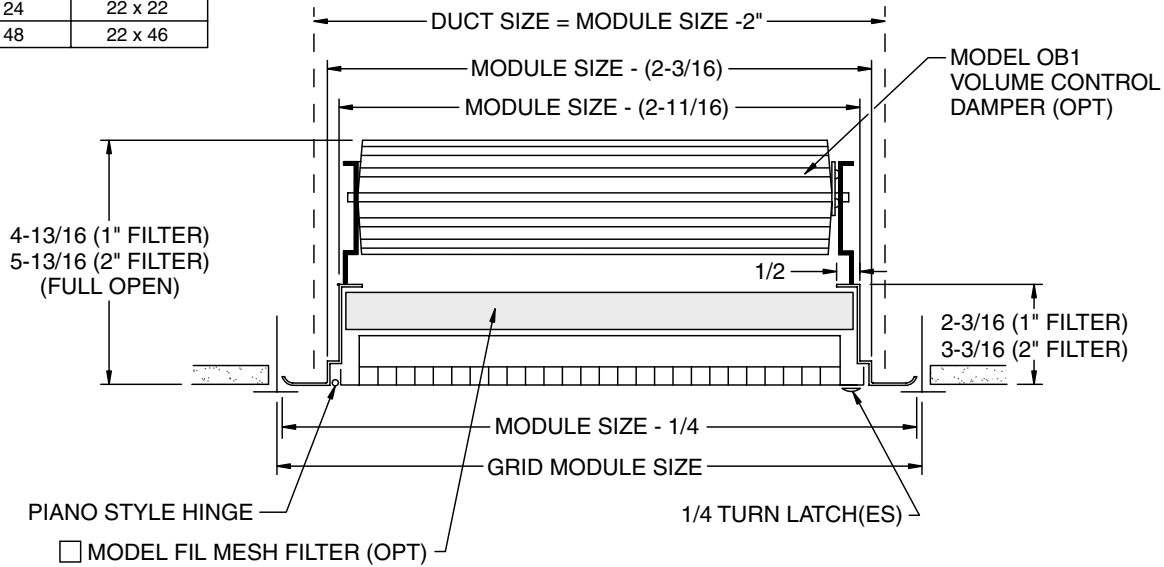
**Material:**

- Aluminum

**Finish:**

- Arctic White  
 Satin Polish  
 Custom Color \_\_\_\_\_

AVAILABLE SIZES	
MODULE SIZE	DUCT SIZE
12 x 12	10 x 10
12 x 24	10 x 22
24 x 24	22 x 22
24 x 48	22 x 46



MODEL	FILTER SIZE	TYPE	DUCT (W X H)	APPLICATION	MODULE
<b>FGC5</b>	<b>1L</b>	<b>H</b>	<b>22.00 / 22.00</b>	<b>L</b>	<b>22</b>
Aluminum Grid Core	1 1" Filter 2 2" Filter 1S 1" Filter, Hinge on Short Dim. 1L 1" Filter, Hinge on Long Dim. 2S 2" Filter, Hinge on Short Dim. 2L 2" Filter, Hinge on Long Dim.	Hinged Core		Inverted T-Bar, 15/16"	- N/A 11 12" x 12" 12 12" x 24" 22 24" x 24" 24 24" x 48"

Dimensions are in inches (millimeters).

JOB NAME:

SUBMITTED BY: