

# SUBMITTAL SHEET

**PRODUCT FEATURES**

- 1/2" x 1/2" x 1/2" aluminum core
- Registers include a factory attached, steel opposed blade volume control damper

**CONSTRUCTION DETAILS**

**Material:** All Steel Components with Aluminum Core (**std**)

**Finish:**

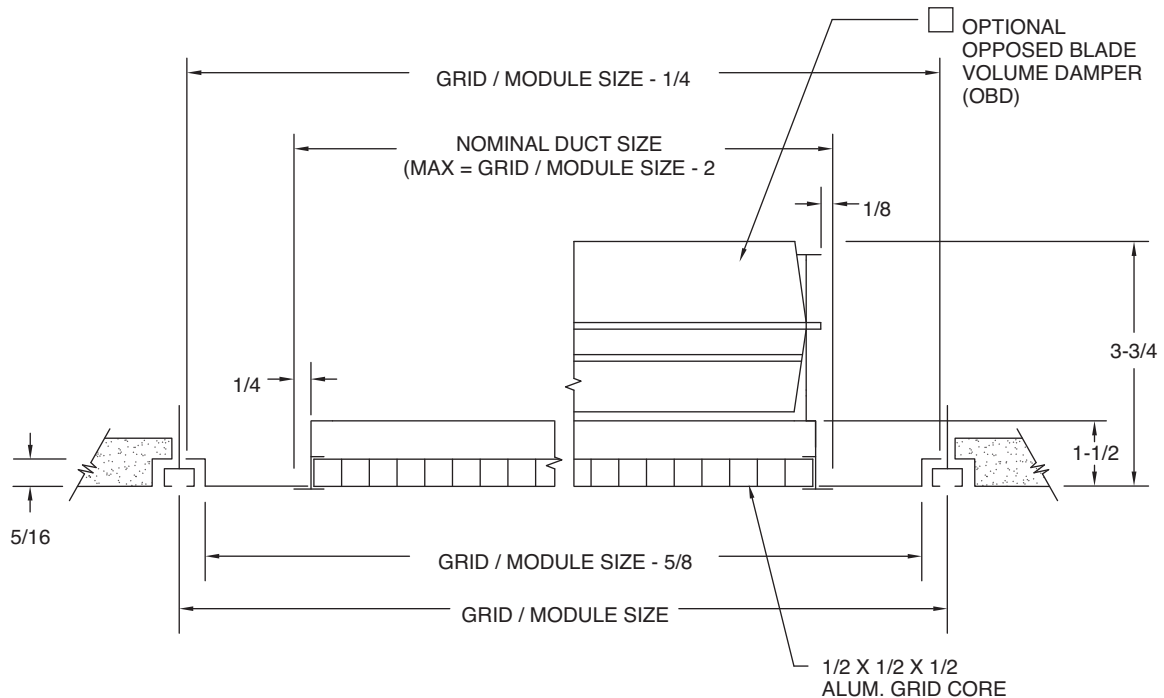
- Arctic White (**std**)
- Custom Color (opt)

**Extension Panel**

- A** 06" x 30" Module
- B** 06" x 48" Module
- 11** 12" x 12" Module
- 12** 12" x 24" Module
- 22** 24" x 24" Module
- 24** 24" x 48" Module
- 30** 30" x 30" Module

**Accessories**

- OB** Opposed Blade Damper



GRID / MODULE SIZE	MAX NECK SIZE
12 x 12	10 x 10
12 x 24	10 x 22
24 x 24	22 x 22
24 x 48	22 x 46
30 x 30	28 x 28
48 x 48	46 x 46

All dimensions are in inches.

**JOB NAME:**
**SUBMITTED BY:**