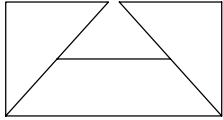


SUBMITTAL SHEET



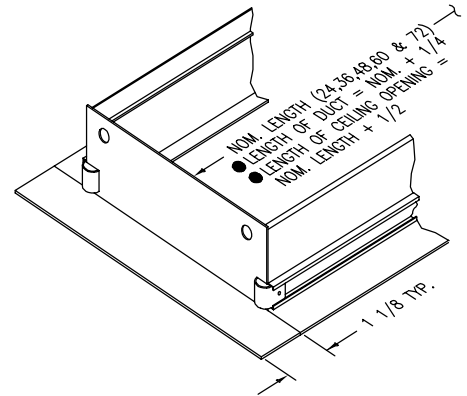
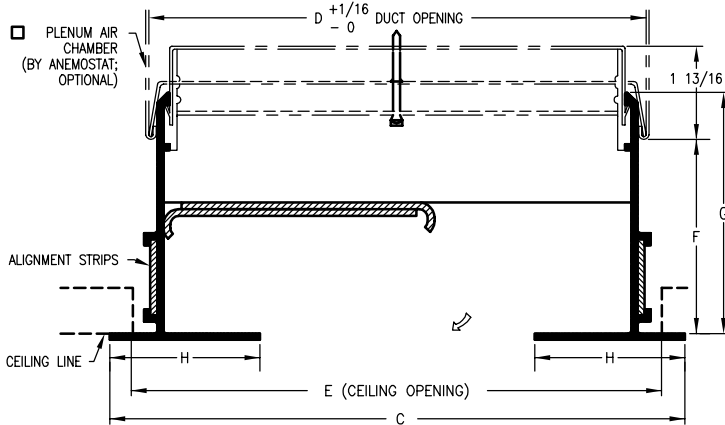
from: **ANEMOSTAT**®

CARSON CA
310-835-7500

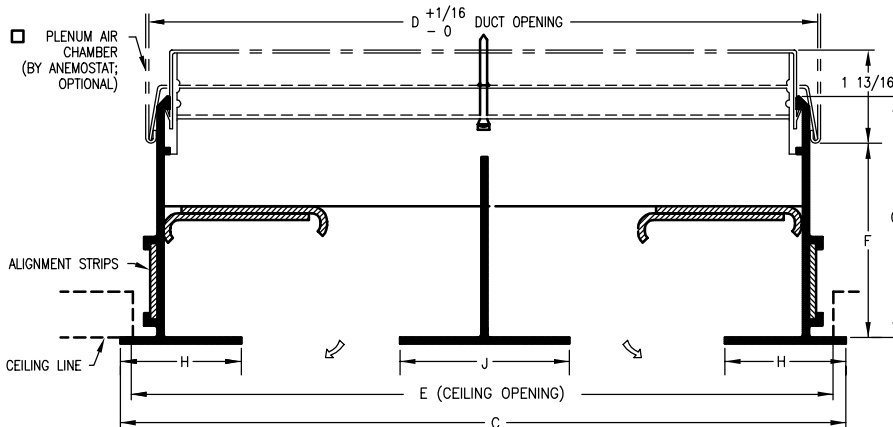
MODEL
FFS-300

FREE FLO™
ARCHITECTURAL
LINEAR SUPPLY DIFFUSER
SURFACE MOUNTING

SINGLE SLOT



MULTIPLE SLOT



END PLATE DETAIL

DIFFUSER SIZE	FFS-300 3" SLOT WIDTH						
	C	D	E	F	G	H	J
1	7	6 5/16	6 3/8	2 3/8 TO 2 3/4	3 7/32	2	-
2	13	12 5/16	12 3/8				3

MATERIAL: .070 ALUMINUM EXTRUSION
GALVANIZED HARDWARE

FINISH: FACING - WHITE
INTERIOR COMPONENTS - BLACK

ASSEMBLY: ALIGNMENT STRIPS AND MOUNTING
BRACKETS FURNISHED FOR FIELD
ASSEMBLY AND INSTALLATION

MFG. TOLERANCE ± 1/32

All Dimensions are in Inches

JOB NAME:	SUBMITTED BY:
LOCATION:	
ARCHITECT:	
ENGINEER:	
CONTRACTOR:	DWG # LIN-0279
	DATE 12-7-01 REV