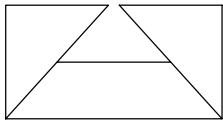


SUBMITTAL SHEET

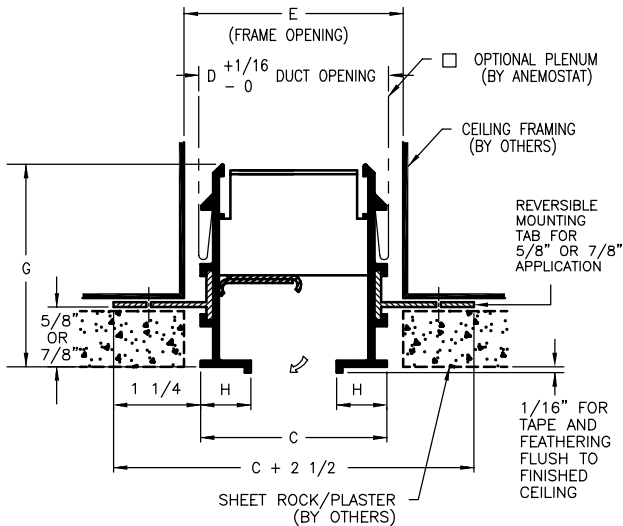


from: **ANEMOSTAT**®

CARSON CA
310-835-7500

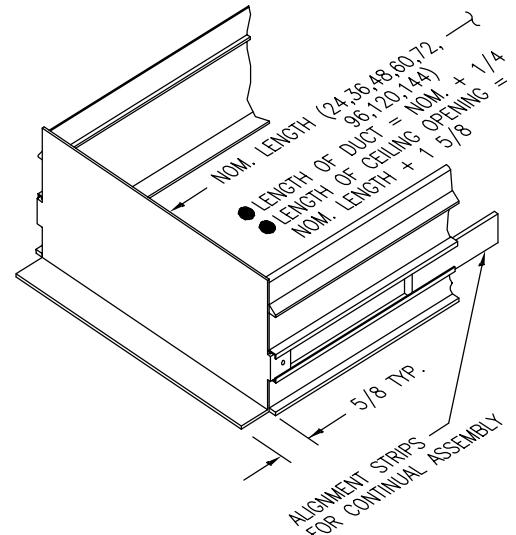
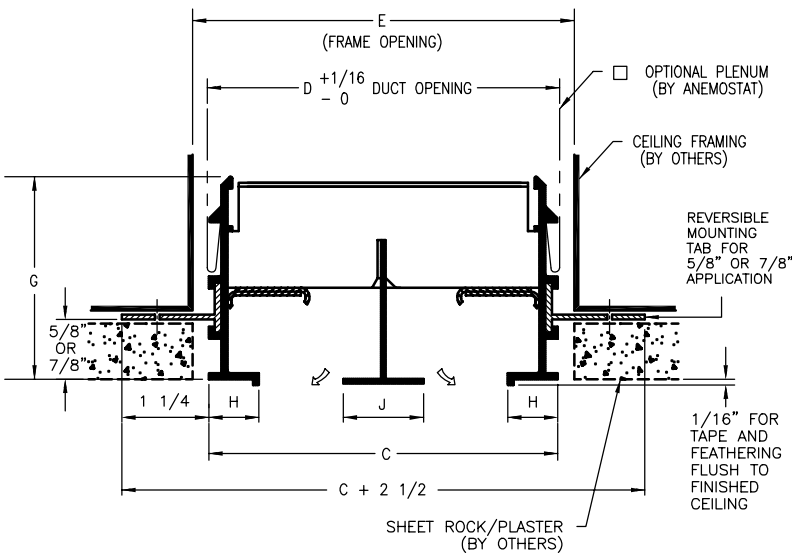
MODEL
FFCM-200
FREE FLO™
ARCHITECTURAL
LINEAR DIFFUSER
CONCEALED MOUNTING

SINGLE SLOT



| FFCM-200 (2" SLOT WIDTH) | | | | | | |
|--------------------------|---------|---------|--------|---------|--------|---|
| # OF SLOTS | C | D | E | G | H | J |
| 1 | 4 5/16 | 4 5/16 | 4 5/8 | 2 11/16 | 1 5/32 | - |
| 2 | 8 5/16 | 8 5/16 | 8 5/8 | | | 2 |
| 3 | 12 5/16 | 12 5/16 | 12 5/8 | | | |
| 4 | 16 5/16 | 16 5/16 | 16 5/8 | | | |

MULTIPLE SLOT



END PLATE DETAIL

- MATERIAL:** .062 ALUMINUM EXTRUSION
GALVANIZED HARDWARE
- FINISH:** OUTER FRAME - BLACK
CENTER TEE - WHITE
INTERIOR COMPONENTS - BLACK
- ASSEMBLY:** ALIGNMENT STRIPS AND MOUNTING
BRACKETS FURNISHED FOR FIELD
ASSEMBLY AND INSTALLATION

MFG. TOLERANCE ± 1/32

All Dimensions are in Inches

| | |
|-------------|-------------------|
| JOB NAME: | SUBMITTED BY: |
| LOCATION: | |
| ARCHITECT: | |
| ENGINEER: | |
| CONTRACTOR: | DWG # LIN-0282 |
| | DATE 9-4-03 REV A |

810A0006A1