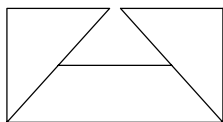


# SUBMITTAL SHEET



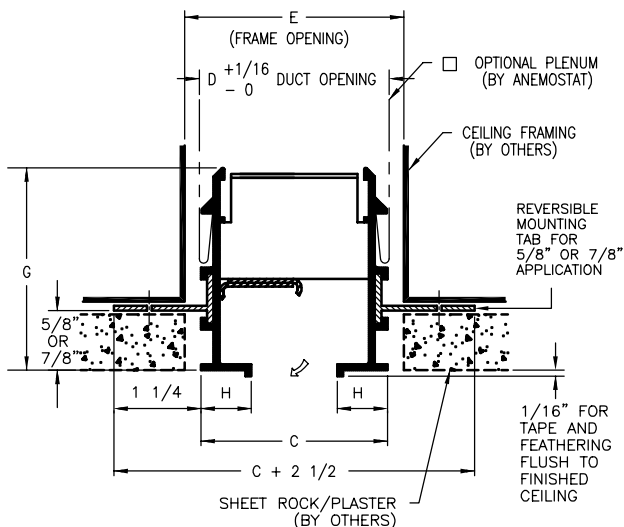
from: **ANEMOSTAT**®

CARSON CA  
310-835-7500

MODEL  
**FFCM-300**

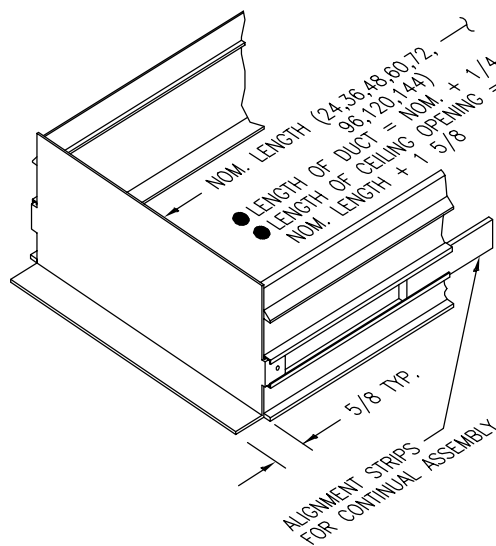
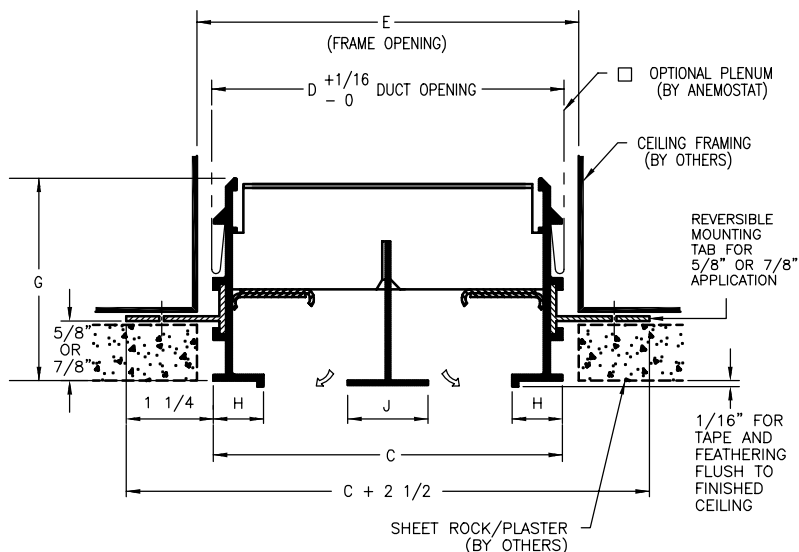
**FREE FLO™**  
ARCHITECTURAL  
LINEAR DIFFUSER  
CONCEALED MOUNTING

## SINGLE SLOT



FFCM-300 (3" SLOT WIDTH)						
# OF SLOTS	C	D	E	G	H	J
1	6 5/16	6 5/16	6 5/8	3 1/4	1 21/32	-
2	12 5/16	12 5/16	12 5/8			3
3	18 5/16	18 5/16	18 5/8			
4	24 5/16	24 5/16	24 5/8			

## MULTIPLE SLOT



## END PLATE DETAIL

**MATERIAL:** .070 ALUMINUM EXTRUSION  
GALVANIZED HARDWARE

**FINISH:** OUTER FRAME - BLACK  
CENTER TEE - WHITE  
INTERIOR COMPONENTS - BLACK

**ASSEMBLY:** ALIGNMENT STRIPS AND MOUNTING  
BRACKETS FURNISHED FOR FIELD  
ASSEMBLY AND INSTALLATION

MFG. TOLERANCE ± 1/32

All Dimensions are in Inches

JOB NAME:	SUBMITTED BY:
LOCATION:	
ARCHITECT:	
ENGINEER:	
CONTRACTOR:	DWG # LIN-0283
	DATE 9-4-03 REV A

810A0007A1