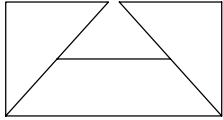


SUBMITTAL SHEET



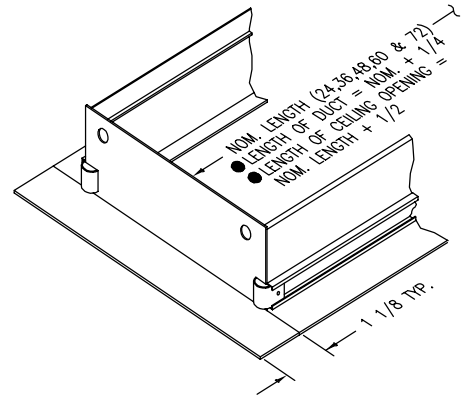
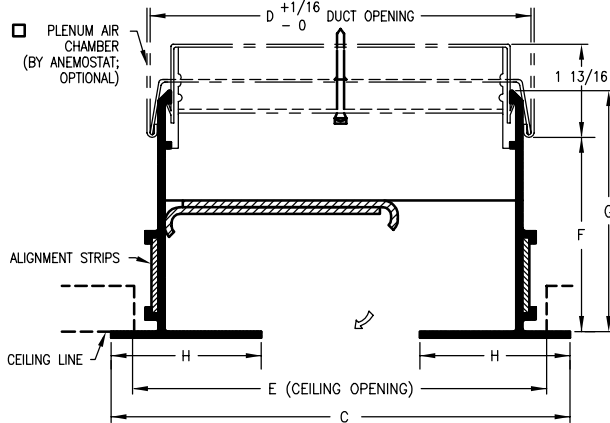
® from: **ANEMOSTAT**®

CARSON CA
310-835-7500

MODEL
FFS-250

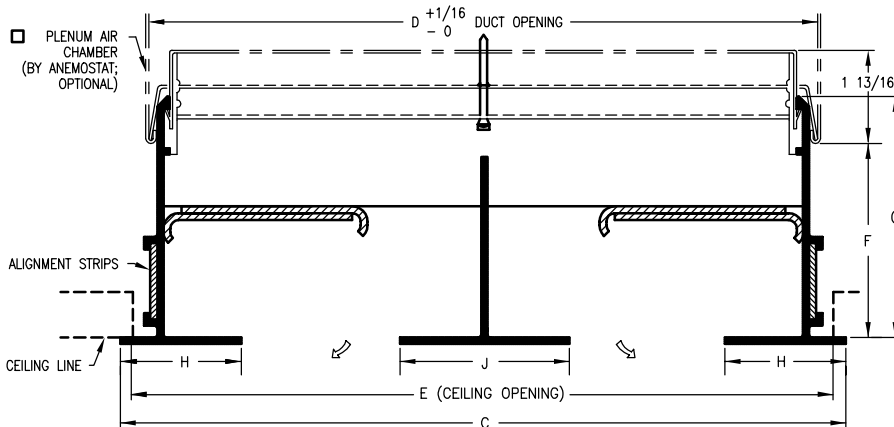
FREE FLO™
ARCHITECTURAL
LINEAR SUPPLY DIFFUSER
SURFACE MOUNTING

SINGLE SLOT



END PLATE DETAIL

TWO SLOT



DIFFUSER SIZE	FFS-250 2 1/2" SLOT WIDTH						
	C	D	E	F	G	H	J
1	6 1/2	5 5/16	5 3/8	2 1/4 TO 2 5/8	3 3/32	2	-
2	11 1/2	10 5/16	10 3/8				2 1/2

MATERIAL: .062 ALUMINUM EXTRUSION
GALVANIZED HARDWARE

FINISH: FACING - WHITE
INTERIOR COMPONENTS - BLACK

ASSEMBLY: ALIGNMENT STRIPS AND MOUNTING
BRACKETS FURNISHED FOR FIELD
ASSEMBLY AND INSTALLATION

MFG. TOLERANCE ± 1/32

All Dimensions are in Inches

JOB NAME:	SUBMITTED BY:
LOCATION:	
ARCHITECT:	
ENGINEER:	
CONTRACTOR:	DWG # LIN-0296
	DATE 12-18-01 REV A