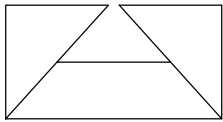


SUBMITTAL SHEET



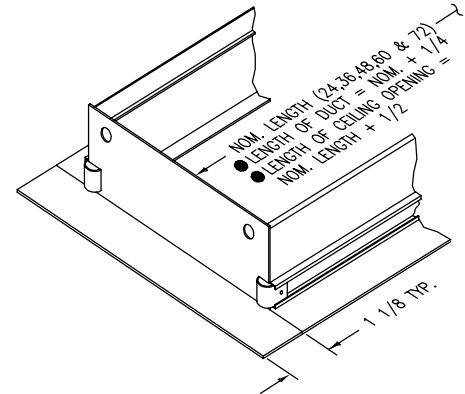
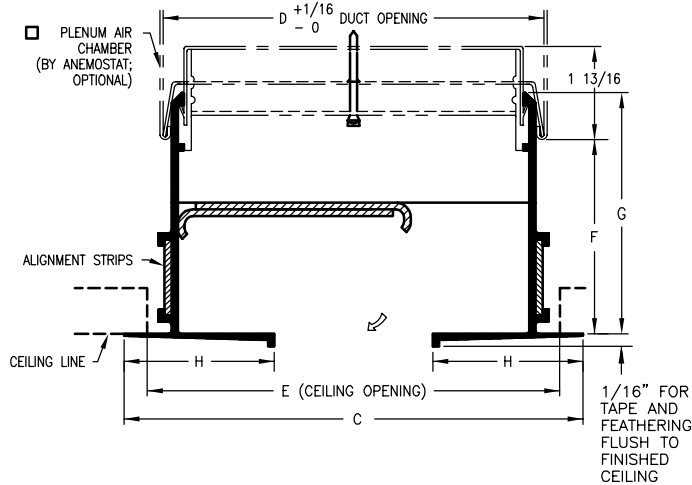
from: **ANEMOSTAT**®

CARSON CA
310-835-7500

MODEL FFBF-250

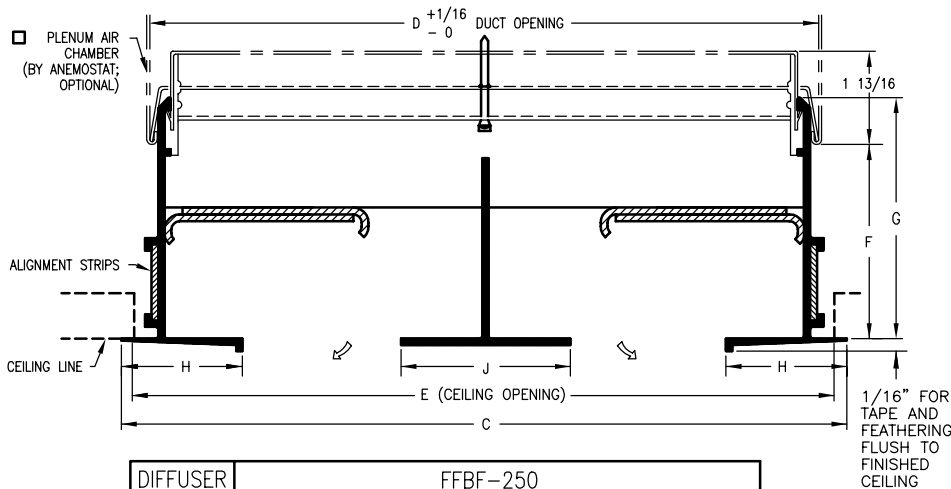
FREE FLO™
ARCHITECTURAL
LINEAR SUPPLY DIFFUSER
BEVELED FLANGE

SINGLE SLOT



END PLATE DETAIL

TWO SLOT



DIFFUSER SIZE	FFBF-250 2 1/2" SLOT WIDTH							
	NUMBER OF SLOTS	C	D	E	F	G	H	J
1	6 1/2	5 5/16	5 3/8	2 1/4 TO 2 5/8	3 3/32	2	-	
2	11 1/2	10 5/16	10 3/8				2 1/2	

MATERIAL: .062 ALUMINUM EXTRUSION
GALVANIZED HARDWARE

FINISH: OUTER FRAME - BLACK
CENTER TEE - WHITE
INTERIOR COMPONENTS - BLACK

ASSEMBLY: ALIGNMENT STRIPS AND MOUNTING
BRACKETS FURNISHED FOR FIELD
ASSEMBLY AND INSTALLATION

MFG. TOLERANCE ± 1/32

All Dimensions are in Inches

JOB NAME:	SUBMITTED BY:
LOCATION:	
ARCHITECT:	
ENGINEER:	
CONTRACTOR:	
	DWG # LIN-0322
	DATE 9-5-03 REV B

810A0003A1