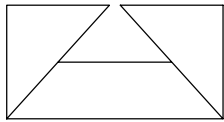


SUBMITTAL SHEET



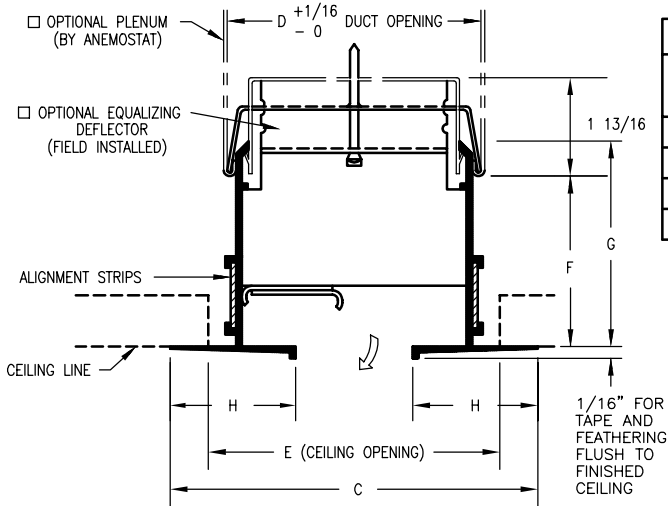
from: **ANEMOSTAT**®

CARSON CA
310-835-7500

MODEL
FFBF-200

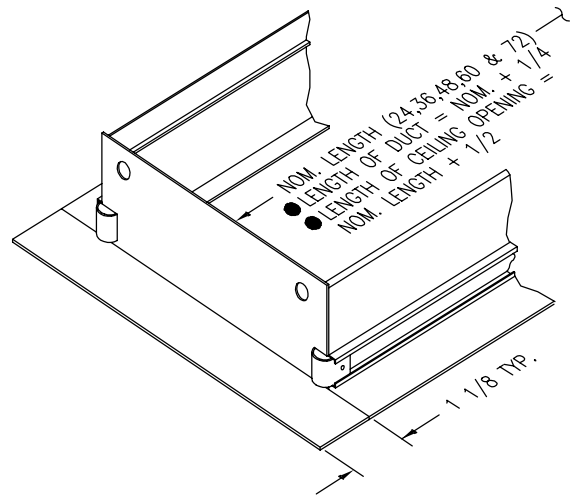
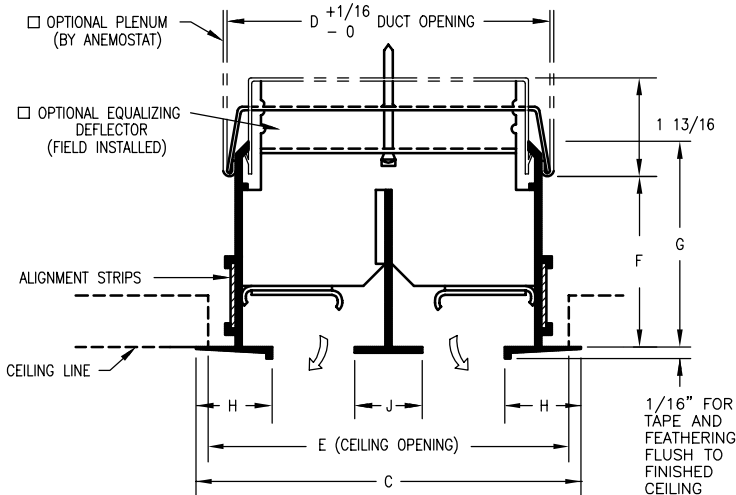
FREE FLO™
ARCHITECTURAL
LINEAR DIFFUSER
BEVELED FLANGE

SINGLE SLOT



| FFBF-200 (2" SLOT WIDTH) | | | | | | | |
|--------------------------|--------|---------|--------|-------------------------|-------|-------|---|
| # OF SLOTS | C | D | E | F | G | H | J |
| 1 | 5 1/2 | 4 5/16 | 4 3/8 | 1 25/32 TO 2 5/32 | 2 5/8 | 1 3/4 | - |
| 2 | 9 1/2 | 8 5/16 | 8 3/8 | | | | 2 |
| 3 | 13 1/2 | 12 5/16 | 12 3/8 | | | | |
| 4 | 17 1/2 | 16 5/16 | 16 3/8 | | | | |

MULTIPLE SLOT



END PLATE DETAIL

- MATERIAL:** .062 ALUMINUM EXTRUSION
GALVANIZED HARDWARE
- FINISH:** OUTER FRAME - BLACK
CENTER TEE - WHITE
INTERIOR COMPONENTS - BLACK
- ASSEMBLY:** ALIGNMENT STRIPS AND MOUNTING
BRACKETS FURNISHED FOR FIELD
ASSEMBLY AND INSTALLATION

MFG. TOLERANCE ± 1/32

All Dimensions are in Inches

| | |
|-------------|-------------------|
| JOB NAME: | SUBMITTED BY: |
| LOCATION: | |
| ARCHITECT: | |
| ENGINEER: | |
| CONTRACTOR: | DWG # LIN-0326 |
| | DATE 9-5-03 REV B |

810A0002A1