

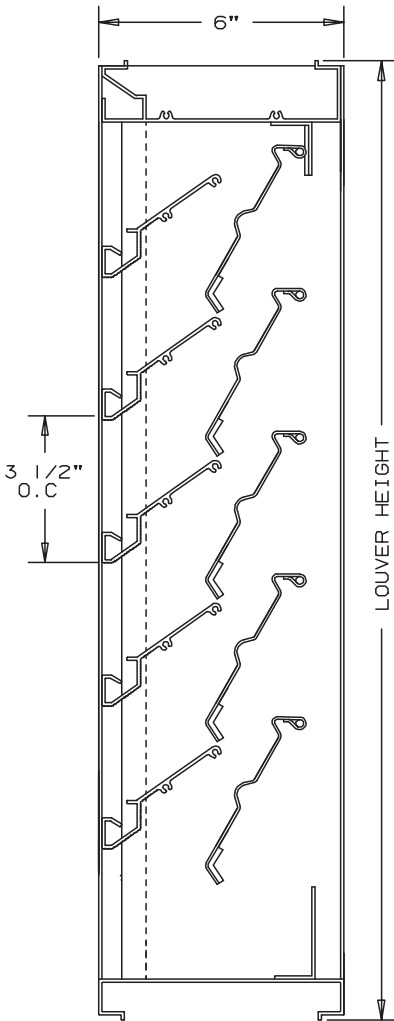


Anemostat®
AIR DISTRIBUTION

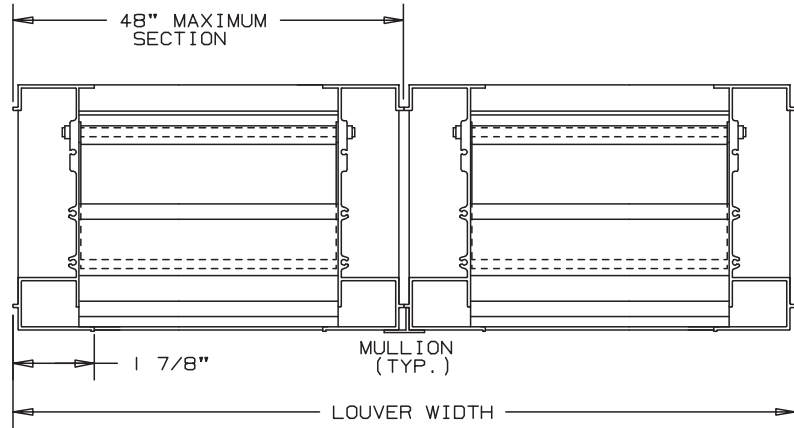
MODEL **LA677E**

EXTRUDED ALUMINUM LOUVERS
6" DEEP - COMBINATION

35° STATIONARY BLADE - COMBINATION - EXHAUST

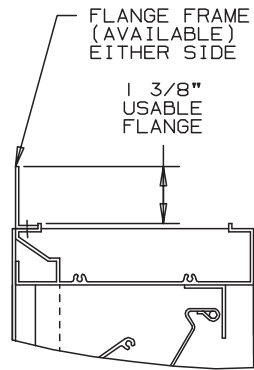


NOT TO SCALE

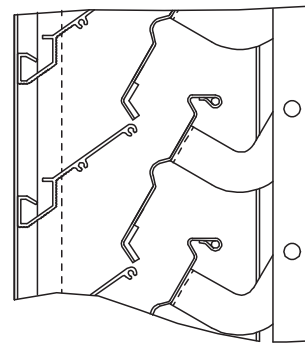


SPECIFICATIONS

MATERIAL: EXTRUDED ALUMINUM, 6063-T52 ALLOY, .081" THK. FRAME AND STATIONARY BLADE, .032" THK. FORMED OPERABLE BLADE.
 FACE OF LOUVER: FULL WIDTH SILL WITH HEAD AND BLADES CONTAINED WITHIN JAMBS.
 BEARINGS: OILITE BRONZE, PRESS FIT INTO FRAME.
 SCREENS: (EITHER FACE WHEN INDICATED, FRONT FACE ONLY WITH FACE LINKAGE).
 BIRD SCREEN - 1/2" FLATTENED ALUMINUM, .051" THK.
 - 1/2" SQ. MESH INTERMEDIATE DOUBLE-CRIMPED ALUMINUM WIRE. .063" DIA.
 INSECT SCREEN - 18/16 MESH, .011" DIA. ALUMINUM WIRE
 MAXIMUM PANEL SIZE: 48"x72" MAXIMUM.
 MINIMUM PANEL SIZE: 12"x12"
 FINISH: _____



FLANGED FRAME OPTION



FACE LINKAGE OPTION

AVAILABLE WITH ALUMINUM FACE LINKAGE

SEE REVERSE SIDE FOR PERFORMANCE DATA

NOMINAL DEDUCTIONS WILL BE MADE TO THE OPENING SIZE GIVEN.

ITEM	QTY.	OPENING SIZE		LOUVER SIZE		MULL	SCREENS	
		WIDTH	HEIGHT	WIDTH	HEIGHT		TYPE	LOC



Anemostat Air Distribution
1220 E. Watson Center Road
Carson, CA 90745
310-835-7500 • air@anemostat.com
www.anemostat-hvac.com

AGENT: _____

ARCH. /ENG. :
CONTR. :
PROJECT :
EDR: ECN: JOB:
DATE: DWN. : DWG. :

MODEL LA677E

ADJUSTABLE LOUVERS

EXTRUDED ALUMINUM - 6" DEEP - EXHAUST LOUVER

PERFORMANCE DATA

TESTS OF A 48" X 48" SAMPLE BY AN *AMCA REGISTERED LABORATORY
 ACCORDING TO AMCA STANDARD 500 SHOWS LESS THAN .19" W.G.
 PRESSURE DROP (EXHAUST) WITH OUT FACE LINKAGE AND LESS THAN
 .08" W.G. PRESSURE DROP (EXHAUST) WITH FACE LINKAGE WHEN FULLY OPEN.

RATINGS DO NOT INCLUDE THE EFFECT OF BIRDSCREEN.

WITHOUT FACE LINKAGE

DAMPER INSTALLED PER AMCA 500 FIG. 5.5

PRESSURE IS CORRECTED TO .075 LB./CU.FT.
 AIR DENSITY.

OPERATIONAL PRESSURES

START TO OPEN - .053 INCHES W.G.
 FULLY OPEN - .182 INCHES W.G.

WITH FACE LINKAGE

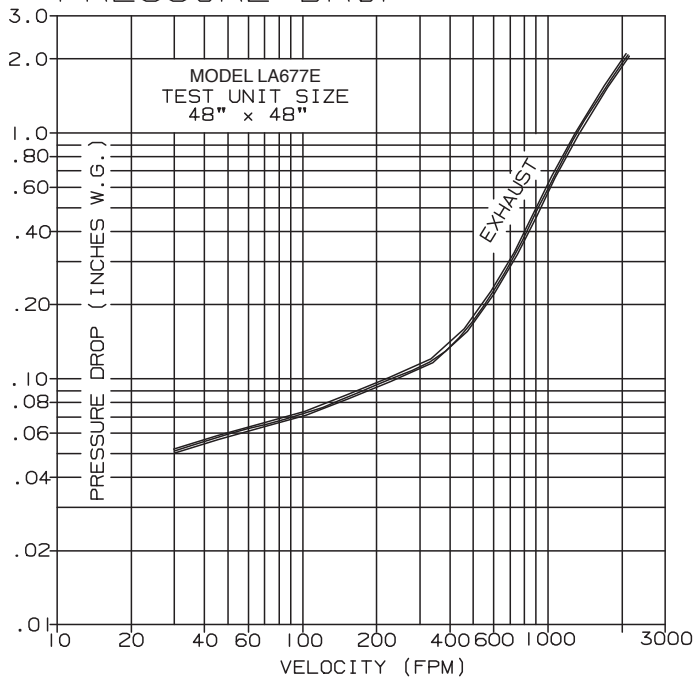
DAMPER INSTALLED PER AMCA 500 FIG. 5.5
 (FACE MOUNTED TO A PLENUM).

PRESSURE IS CORRECTED TO .075 LB./CU. FT.
 AIR DENSITY.

OPERATIONAL PRESSURES

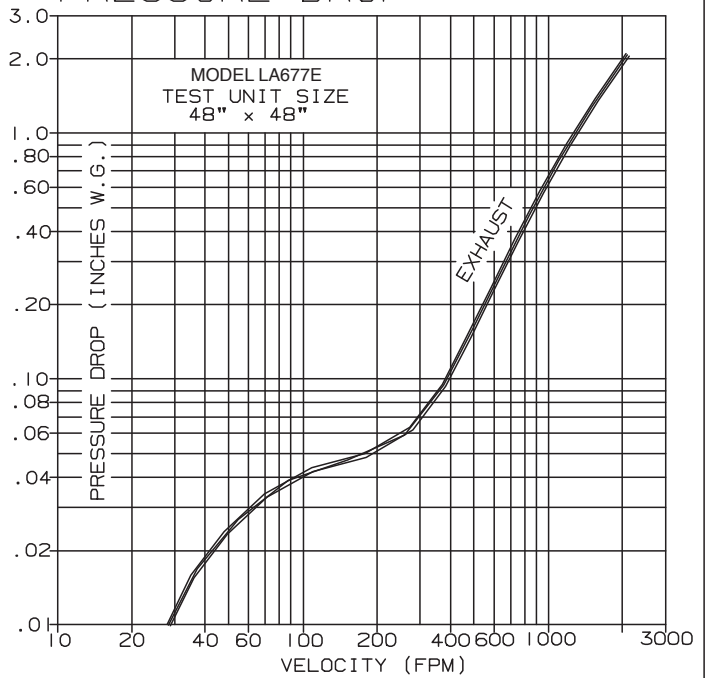
START TO OPEN - .010 INCHES W.G.
 FULLY OPEN - .073 INCHES W.G.

PRESSURE DROP



TESTED WITHOUT FACE LINKAGE AND
 COUNTER-WEIGHT

PRESSURE DROP



TESTED WITH FACE LINKAGE AND COUNTERWEIGHT TO
 ASSIST OPENING FOR HORIZONTAL, EXHAUST
 AIR FLOW

FREE AREA

		FREE AREA (SQ. FT.)						
		WIDTH						
		12"	18"	24"	30"	36"	42"	48"
HEIGHT	12"	.25	.43	.61	.79	.97	1.15	1.33
	24"	.69	1.20	1.70	2.21	2.71	3.22	3.72
	36"	1.07	1.85	2.63	3.41	4.19	4.97	5.75
	48"	1.52	2.63	3.74	4.85	5.96	7.07	8.18
	60"	1.90	3.28	4.66	6.04	7.42	8.80	10.18
	72"	2.35	4.06	5.77	7.48	9.19	10.90	12.60

* AMCA REGISTERED LABORATORY IS A
 LABORATORY EQUIPPED AND STAFFED
 TO CONDUCT TESTS ACCORDING TO THE
 APPROPRIATE AMCA TESTS METHOD AND
 WHICH HAS BEEN LICENSED AS A AMCA
 REGISTERED LABORATORY.