

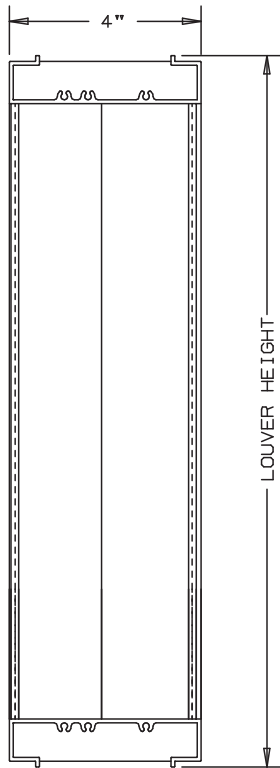


Anemostat®
AIR DISTRIBUTION

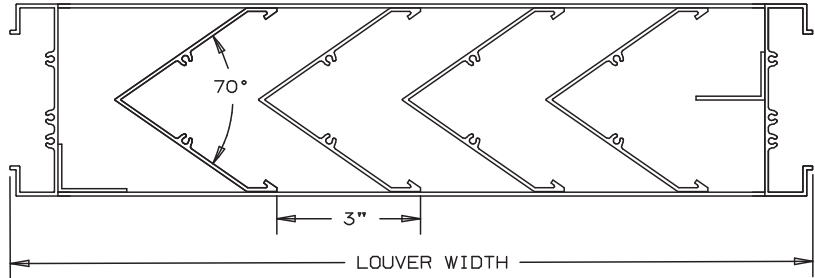
MODEL **SL34**

EXTRUDED ALUMINUM LOUVERS
4" DEEP

CHEVRON-SIGHTPROOF - VERTICAL - CHANNEL TYPE



NOT TO SCALE



SPECIFICATIONS

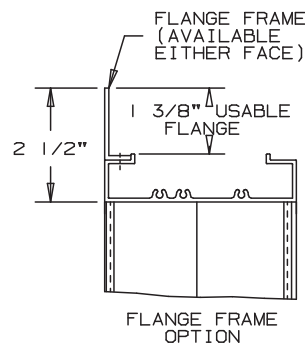
MATERIAL: EXTRUDED ALUMINUM 6063-T6/T52 ALLOY
.081" THK.

FACE OF LOUVER: ALL SURFACES ARE FLUSH, WITH JAMBS
CONTAINED WITHIN THE HEAD AND SILL.

SCREEN: (WHEN INDICATED)

- BIRD SCREEN - 1/2" FLATTENED ALUMINUM, .051" THK.
- OR - 1/2" SQ. MESH INTERMEDIATE DOUBLE-CRIMPED ALUMINUM WIRE, .063" DIA.
- OR - 18/16 MESH, .011" DIA. ALUMINUM WIRE INSECT SCREEN.

FINISH: _____



NOMINAL DEDUCTIONS WILL BE MADE TO OPENING SIZES GIVEN.

ITEM	QTY.	WIDTH	HEIGHT	WIDTH	HEIGHT	MULL	TYPE	LOC
		OPENING SIZE		LOUVER SIZE			SCREENS	



Anemostat Air Distribution
1220 E. Watson Center Road
Carson, CA 90745
310-835-7500 • air@anemostat.com
www.anemostat-hvac.com

AGENT: _____

ARCH./ENG. : _____

CONTR. : _____

PROJECT : _____

EDR : _____ ECN : _____ JOB : _____

DATE : _____ DWN. : _____ DWG. : _____

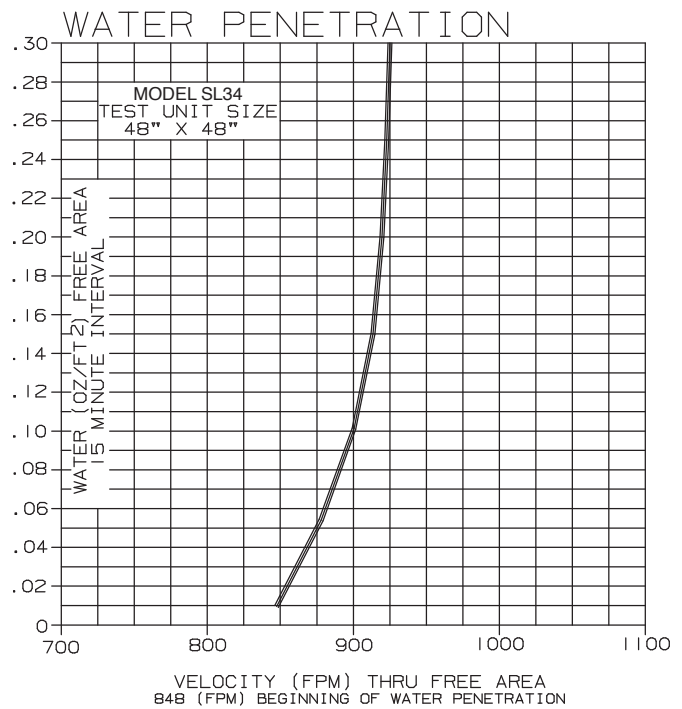
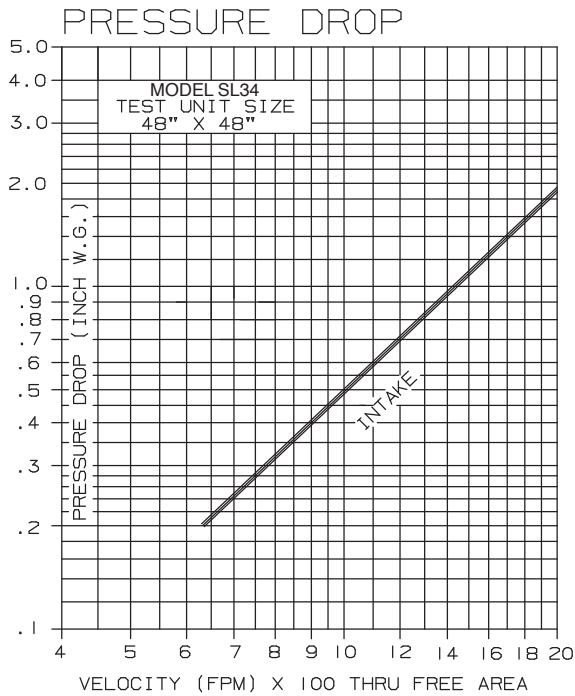
MODEL SL34

CHEVRON BLADE

EXTRUDED ALUMINUM - VERTICAL - STATIONARY

PERFORMANCE DATA

RATINGS DO NOT INCLUDE THE EFFECT OF BIRDSCREEN.



FREE AREA

	FREE AREA (SQ. FT.)								
	WIDTH								
	12"	18"	24"	30"	36"	42"	48"	54"	60"
12"	.27	.40	.53	.67	.80	.93	1.07	1.20	1.33
24"	.70	1.04	1.39	1.74	2.09	2.43	2.78	3.13	3.48
36"	1.13	1.69	2.25	2.81	3.38	3.94	4.50	5.06	5.63
48"	1.55	2.33	3.11	3.89	4.66	5.44	6.22	6.99	7.77
60"	1.98	2.98	3.97	4.96	5.95	6.94	7.93	8.93	9.92
72"	2.41	3.62	4.83	6.03	7.24	8.45	9.65	10.86	12.07
84"	2.84	4.26	5.68	7.11	8.53	9.95	11.37	12.79	14.21
96"	3.27	4.91	6.54	8.18	9.82	11.45	13.09	14.72	16.36