



Anemostat® SUBMITTAL

1220 Watson Center Road • Carson, CA 90745-4206
(310) 835-7500 • FAX (310) 835-0448
air@anemostat.com • www.anemostat-hvac.com

Model **PAC** PERFORATED SUPPLY DIFFUSER CURVED BLADE ADJUSTABLE DISCHARGE PATTERN

DIFFUSERS

PRODUCT FEATURES

- Supply diffuser with adjustable curved blade pattern controllers attached to neck
- Horizontal 1, 2, 3, or 4 way discharge patterns, or vertical projection (shipped 4 way as standard)
- Removable face for cleaning, pattern, or volume adjustment
- Earthquake Loops

CONSTRUCTION DETAILS

BACK PAN

Material:

- Steel Aluminum
 304 Stainless Steel

Finish:

- Arctic White Satin Polish
 Custom Color _____

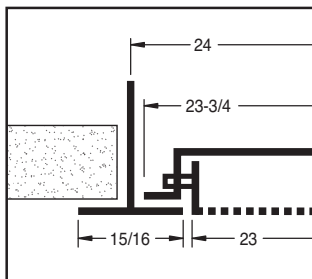
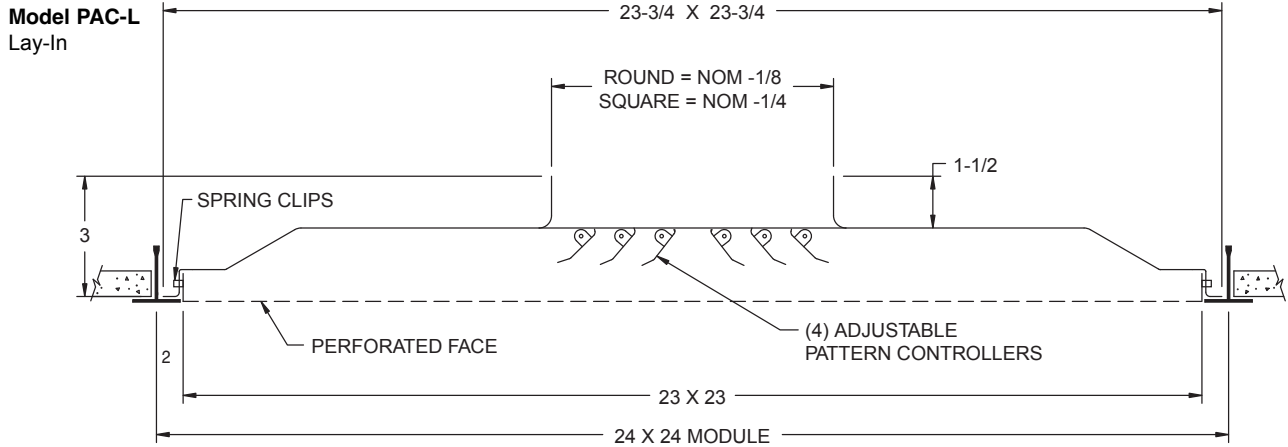
PERFORATED FACE

Material:

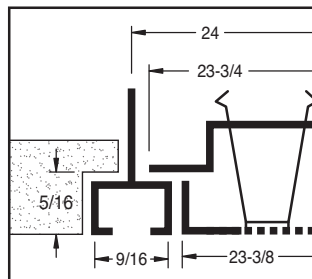
- Steel Aluminum
 304 Stainless Steel

Finish:

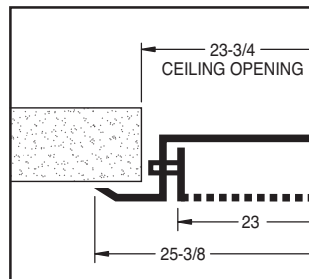
- Arctic White Satin Polish
 Custom Color _____



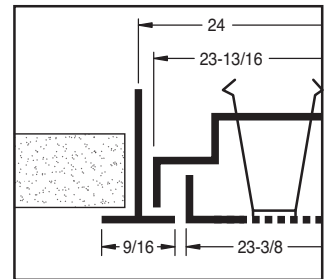
Model PAC-L
Lay-In, 15/16" (shown)



Model PAC-D
9/16" NARROW SLOT



Model PAC-F
SURFACE MOUNTED



Model PAC-L9
Lay-In, 9/16"

MODEL PAC	APPLICATION L	DUCT DIA. or WIDTH 08	DUCT HEIGHT 08	FACE/MODULE SIZE ²
Supply, Adjustable Curved Blade, Modular	L Lay-In, 15/16" Inverted T-Bar	05 5" 10 10" 06 6" 12 12" 07 7" 14 14" 08 8" 16 16"	– N/A 10 10" 05 5" 12 12" 06 6" 14 14" 07 7" 16 16" 08 8" 09 9"	22 24" x 24" ² ²

All dimensions are in inches.

JOB NAME:

SUBMITTED BY: