

Anemostat® SUBMITTAL

1220 Watson Center Road • Carson, CA 90745-4206
 (310) 835-7500 • FAX (310) 835-0448
 air@anemostat.com • www.anemostat0-hvac.com

Model **PG**
PARAGON DIFFUSER
 1/2" PLAQUE DROP
 SUPPLY / RETURN
 NOMINAL 12 X 12

DIFFUSERS

PRODUCT FEATURES

- Optional volume control damper, accessible from room side
- Removable inner plaque assembly
- Optional blankoff baffles, factory or field installed

CONSTRUCTION DETAILS

Material: Cold Rolled Steel (std)

Aluminum (opt)

Finish: White (std)

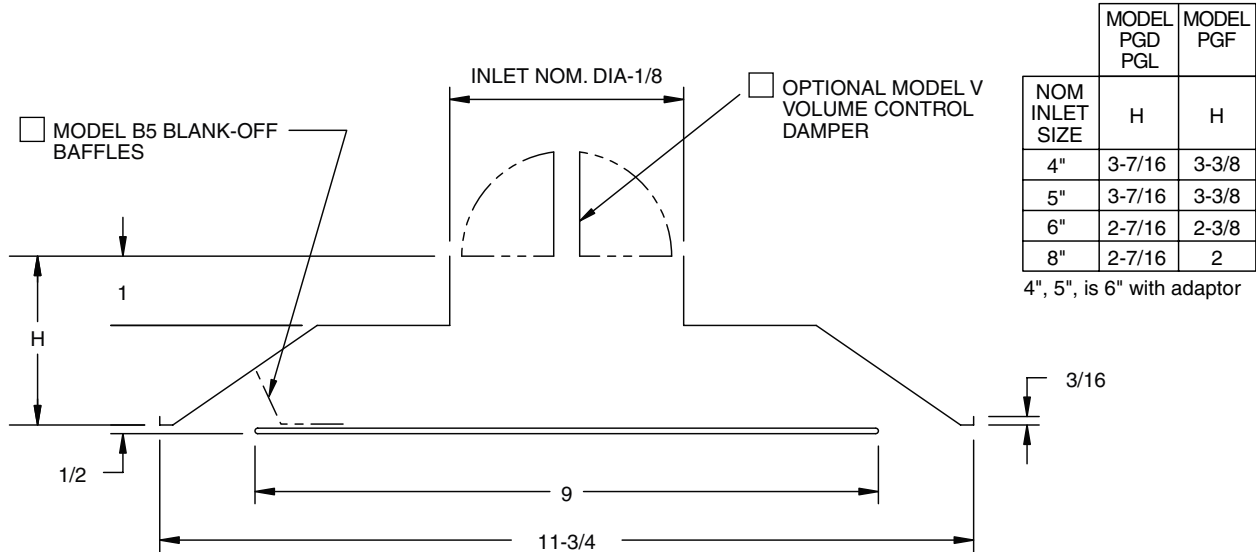
Custom Colors (opt)

MODELS

PGD-11C 9/16" Narrow Slot

PGL-11C Lay-In T-Bar

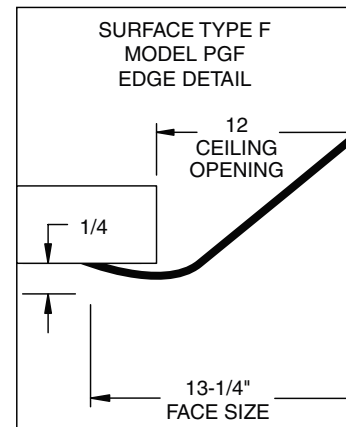
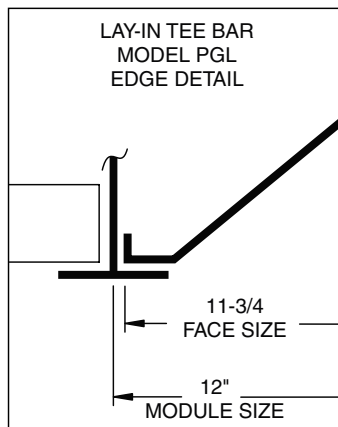
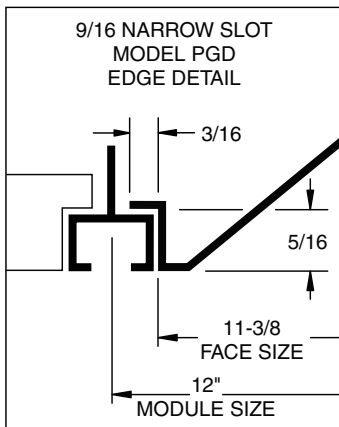
PGF-11C Surface Mount



NOM INLET SIZE	MODEL PGD PGL	MODEL PGF
	H	H
4"	3-7/16	3-3/8
5"	3-7/16	3-3/8
6"	2-7/16	2-3/8
8"	2-7/16	2

4", 5", is 6" with adaptor

NOTE: FINISH PLATE SHIPS SEPARATELY FOR FIELD INSTALLATION



All dimensions are in inches.

JOB NAME:

SUBMITTED BY: