



PRODUCT FEATURES

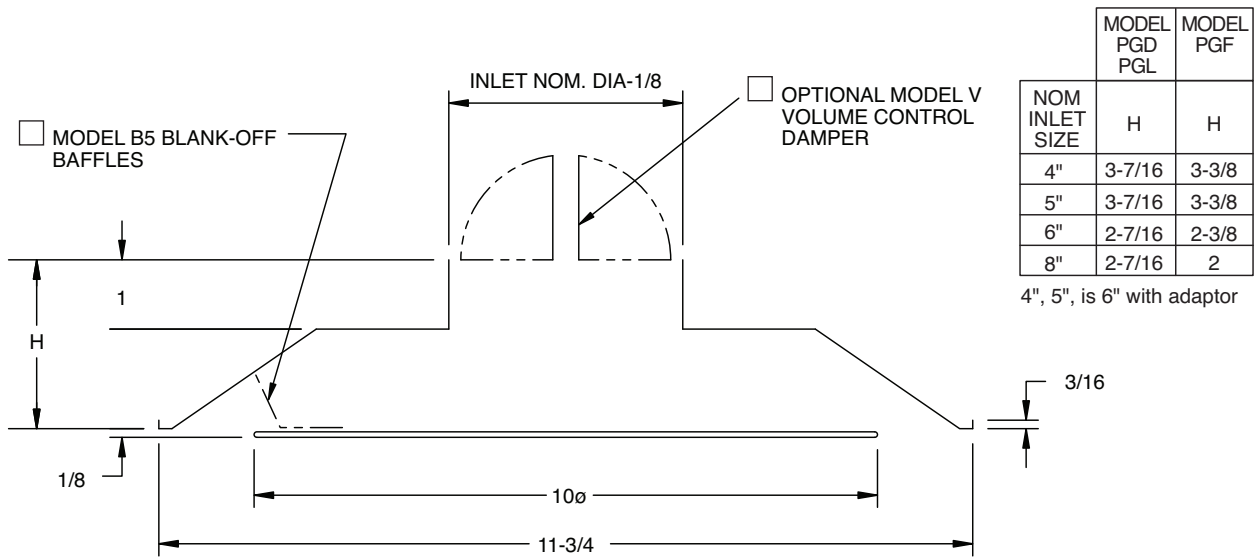
- Optional volume control damper, accessible from room side
- Removable inner plaque assembly
- Optional blankoff baffles, field installed

CONSTRUCTION DETAILS

- Material:** Cold Rolled Steel (std)
 Aluminum (opt)
Finish: White (std)
 Custom Colors (opt)

MODELS

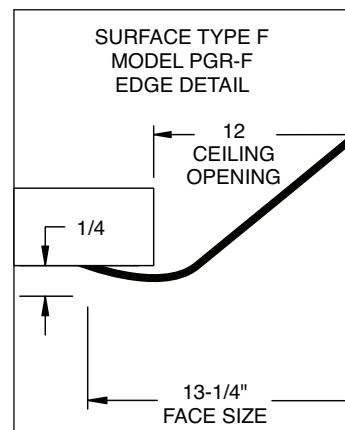
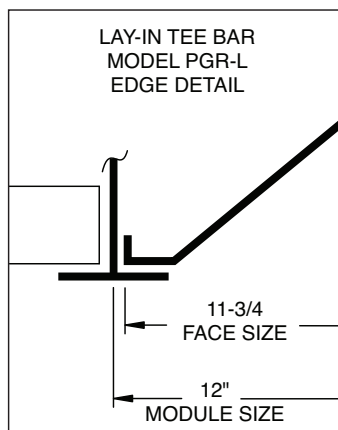
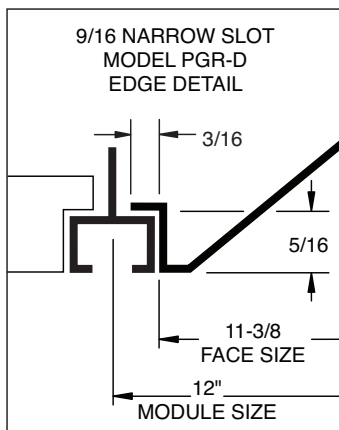
- PGR-D-11A** 9/16" Narrow Slot
 PGR-L-11A Lay-In T-Bar
 PGR-F-11A Surface Mount



NOM INLET SIZE	MODEL PGD PGL	MODEL PGF
	H	H
4"	3-7/16	3-3/8
5"	3-7/16	3-3/8
6"	2-7/16	2-3/8
8"	2-7/16	2

4", 5", is 6" with adaptor

NOTE: FINISH PLATE SHIPS SEPARATELY FOR FIELD INSTALLATION



All dimensions are in inches.

JOB NAME:

SUBMITTED BY: