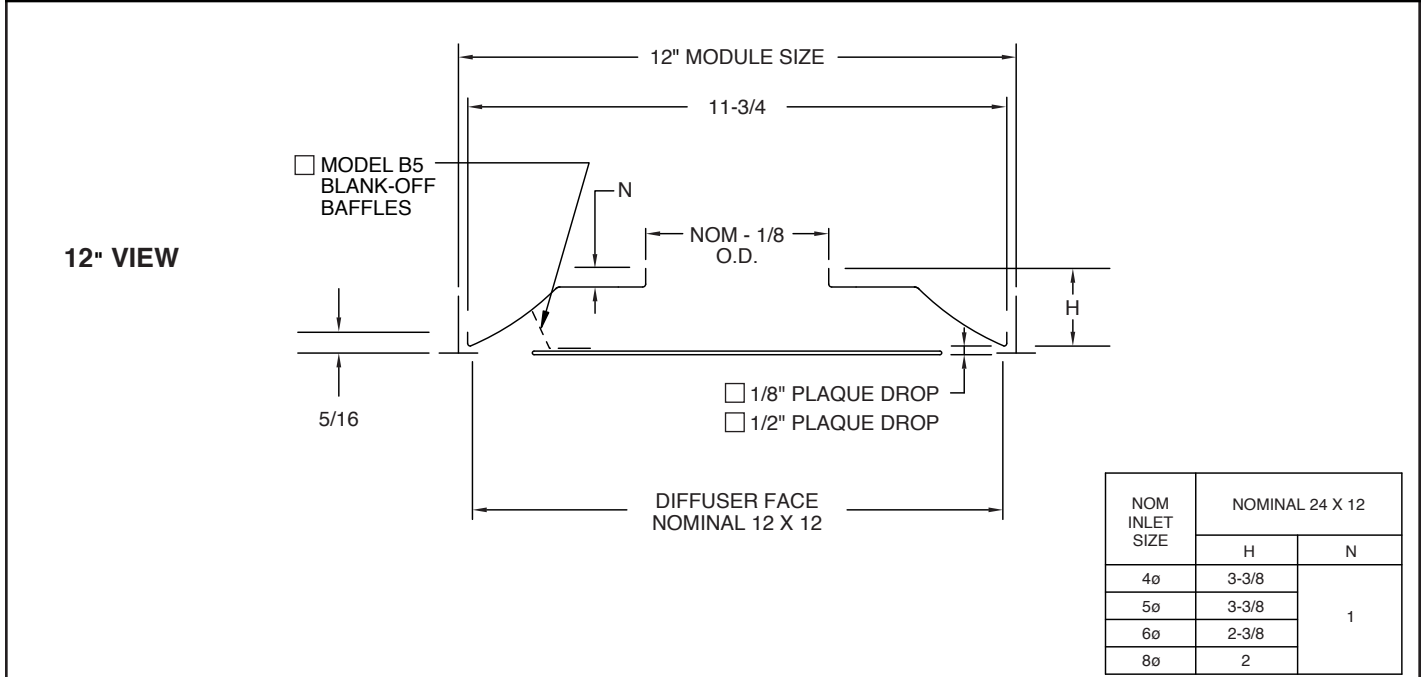
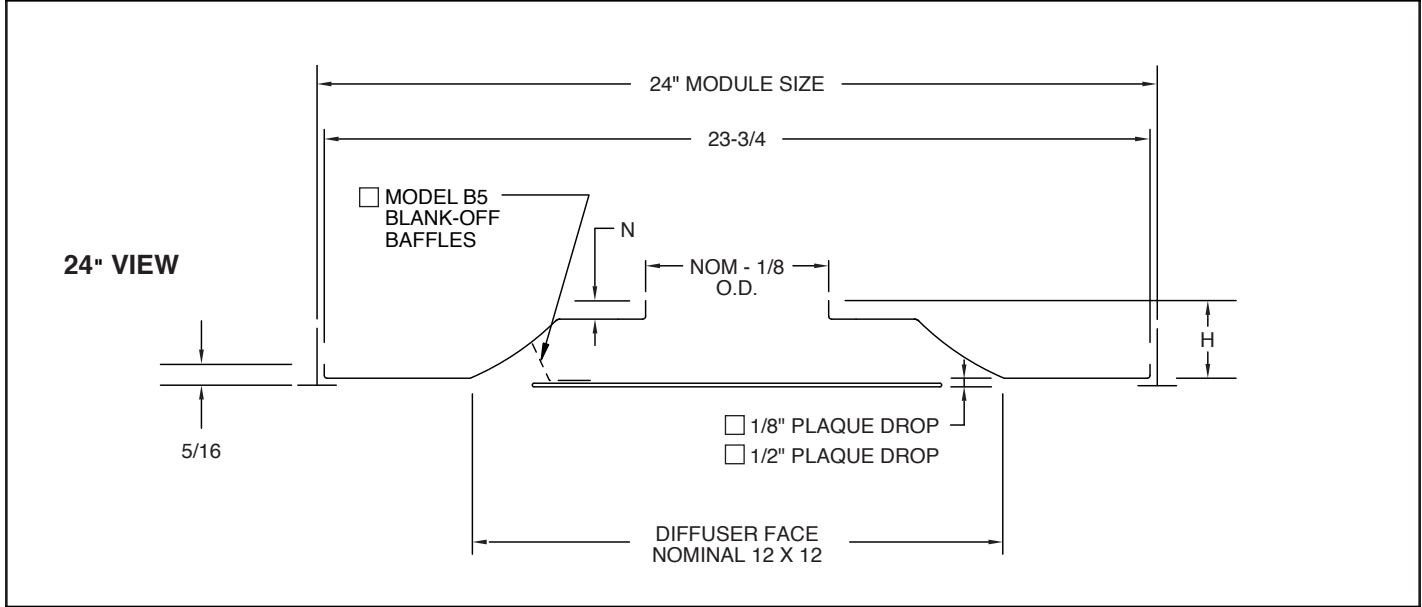


PRODUCT FEATURES	CONSTRUCTION DETAILS	MODELS
<ul style="list-style-type: none"> • Optional volume control damper, accessible from room side • Removable inner plaque assembly • Optional blankoff baffles, field installed 	<p>Material: 22 GA Cold Rolled Steel (std)</p> <p><input type="checkbox"/> 18 GA Aluminum (opt)</p> <p>Finish: White (std)</p> <p><input type="checkbox"/> Custom Color (opt)</p>	<p><input type="checkbox"/> PG-L Lay-In T-Bar 24 x 12</p>



NOM INLET SIZE	NOMINAL 24 X 12	
	H	N
4ø	3-3/8	1
5ø	3-3/8	
6ø	2-3/8	
8ø	2	

4", 5", is 6" with adaptor

Vector and Armstrong World Industries are registered trademarks

All dimensions are in inches.

JOB NAME: _____ **SUBMITTED BY:** _____