

Description

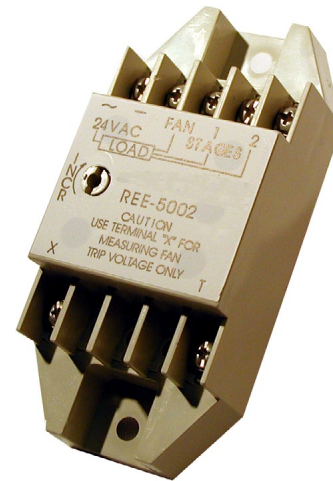
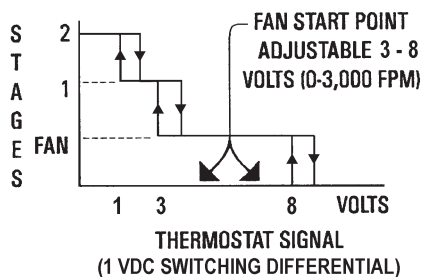
The KMC REE-5002 triac relay module is designed primarily for use with VAV fan-powered induction boxes. When used with a direct-acting CTE-5202 or CTE-510x room thermostat, the unit mounted fan and two stages of reheat can be controlled.

Each output circuit is capable of handling contactors of up to 10 VA @ 24 VAC. The "FAN" output circuit may be adjusted to start the unit fan at an air flow setting of 0 to 3,000 fpm. The two reheat circuits are factory-set to sequentially actuate after the fan starts if the room temperature continues to fall.

Using the REE-5002 allows full adjustment of the unit fan starting point so that optimum use can be made of the warm air in the return air plenum before actuating reheat coils.

Features

- ◆ Simple installation
- ◆ Controls unit fan and two stages of reheat (when used with CTE-5202/510x thermostats)
- ◆ Each triac output capable of handling contactors of up to 10 VA @ 24 VAC
- ◆ Each reheat stage set to sequentially actuate after the fan starts
- ◆ "FAN" output adjustable to start the unit fan at an air flow setting of 0–3,000 fpm



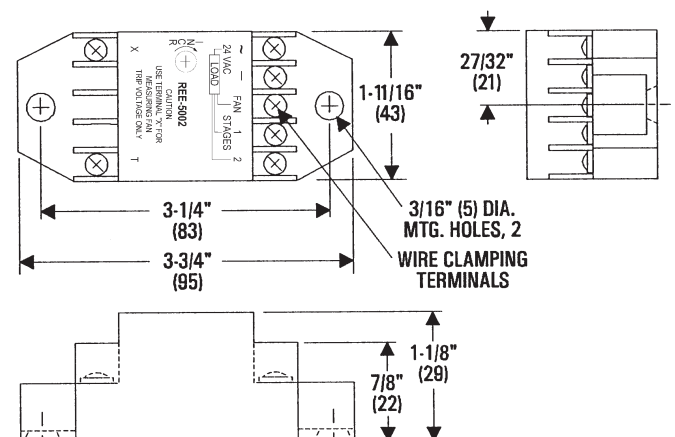
Still ... Made in the U.S.A.

Specifications

Supply Voltage	24 VAC, +20%/–15% @ 1 VA plus output loads
Input Signal	0 to 10 VDC
Switching Differential	1 VDC (each stage)
Output Capacity	10 VA per stage @ 24 VAC
Fan Setpoint	4.0 VDC, adjustable 3–8 VDC
Connections	Plated screw terminals
Wire Size	14–22 AWG, stranded
Material	Beige flame-retardant plastic
Weight	2 oz. (57 grams)
Approvals	SASO PCP Registration KSA R-103263

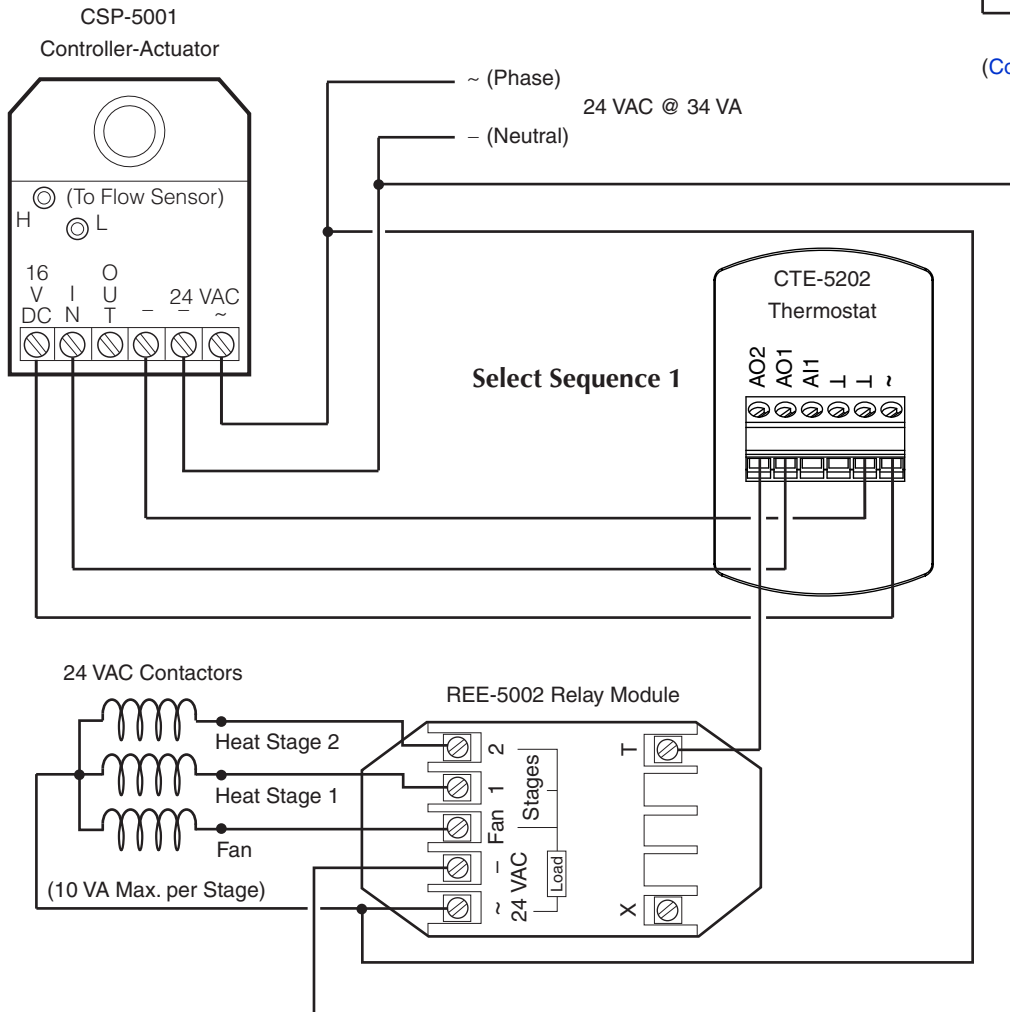
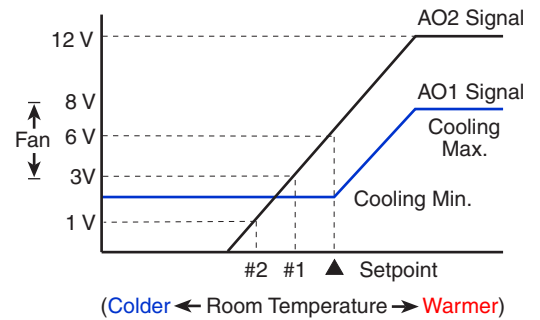
Temperature Limits

Operating	40 to 120° F (4 to 49° C)
Shipping	–40 to 140° F (–40 to 60° C)



Sample Application

NOTE: See the [CTE-5202 Applications Guide](#) and the [CSP-5001/5002 Applications Guide](#) for additional information on applications.



The REE-5002 is intended for use with the following: **NOTE: Triac outputs are for 24 VAC loads only.**

Associated Controllers/Actuators:

- ◆ CSP-5001 (CCW to close)
- ◆ CSP-5002 (CW to close)

Associated Thermostats:

- ◆ CTE-5101 (Direct Acting T1/T3)
- ◆ CTE-5103 (Direct Acting T1/T3; Reverse Acting T2/T4)
- ◆ CTE-5105 (Direct Acting T1/T2/T3/T4)
- ◆ CTE-5202 (configurable outputs AO1/AO2)

KMC Controls, Inc.

19476 Industrial Drive, New Paris, IN 46553

574.831.5250

www.kmcccontrols.com

info@kmcccontrols.com