

# Anemostat®

## SUBMITTAL

A MESTEK COMPANY

1220 Watson Center Road • Carson, CA 90745-4206  
 (310) 835-7500 • FAX (310) 835-0448  
 airhelp@anemostat.com • www.anemostat.com

**Model 10**  
**SINGLE DEFLECTION SUPPLY**  
 3/4" SPACING  
 LAY-IN T-BAR  
 WITH EXTENSION PANEL

### GRILLES & REGISTERS

#### PRODUCT FEATURES

- Single Deflection Supply
- Registers include a factory attached, steel opposed blade volume control damper

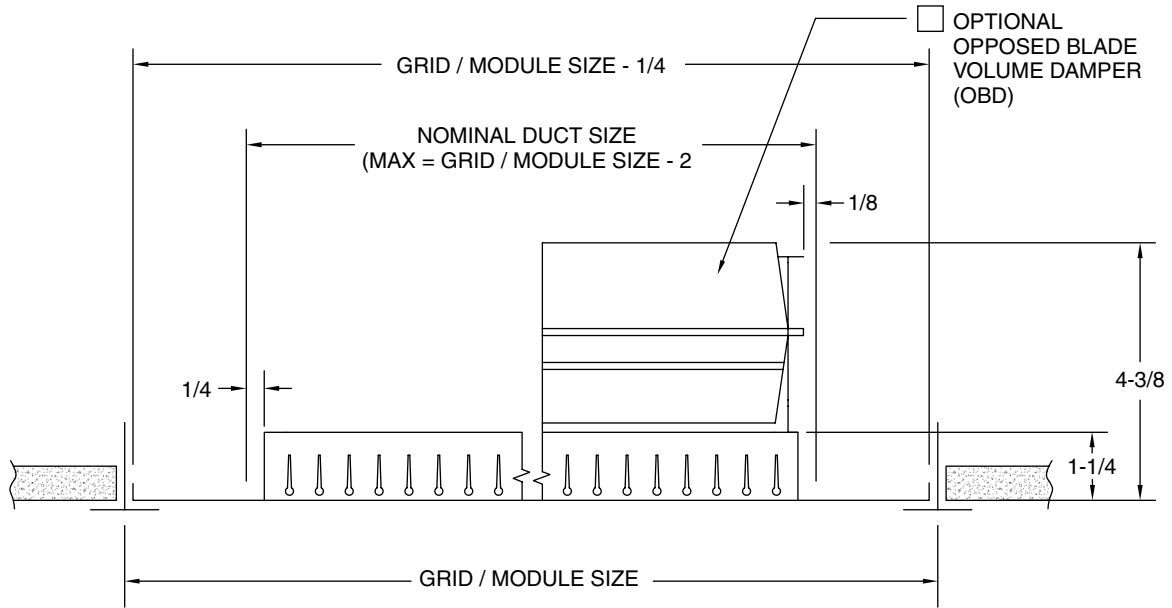
#### CONSTRUCTION DETAILS

##### Material:

- Steel Construction
- Aluminum Construction

##### Finish:

- Arctic White (std)
- Custom Color (opt)



GRID / MODULE SIZE	MAX NECK SIZE
12 x 12	8 x 8
12 x 24	8 x 20
24 x 24	20 x 20
24 x 48	20 x 44
48 x 48	44 x 44

#### NOTES:

- Front louvers are parallel to longer neck dimension as standard.

All dimensions are in inches.

JOB NAME:

SUBMITTED BY: