

PRODUCT FEATURES

- 1,2,3, or 4 parallel slots integrated into a coated steel supply plenum
- 3/4", 1", 1-1/2" slot widths
- 24", 36", 48", 60" nominal lengths (custom lengths available)
- Model TBF T-Bar Frame ships separate for field installation

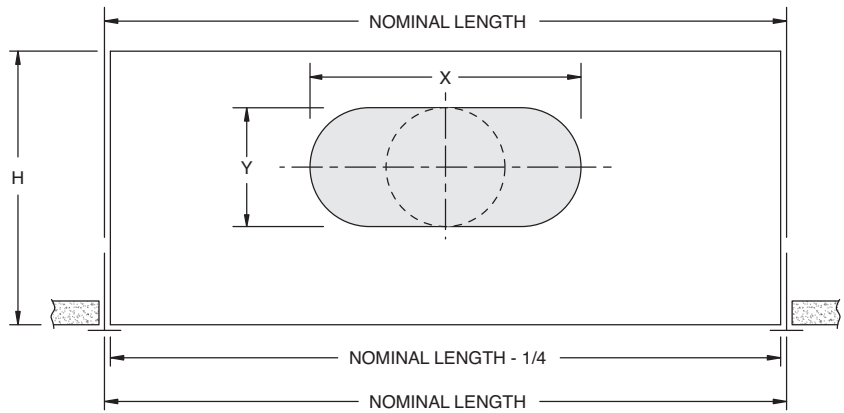
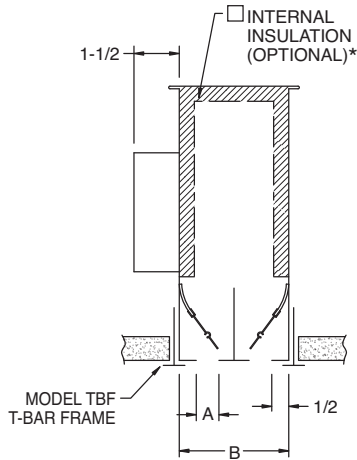
CONSTRUCTION DETAILS

- Material:** 24 GA Zinc-Coated Steel
- Finish:** Flat black on exposed
Diffuser Face surfaces (**std**)
Factory attached T-Bars are white
Model TBF T-Bar Frame is white
- Custom Colors (opt)

MODELS

- SCD-S** All center Tees included
- TBF** T-Bar Frame

2 SLOT SHOWN



*NOTE: End caps are not insulated

	SLOT WIDTH A	B				NOM LENGTH
		1-SLOT	2-SLOT	3-SLOT	4-SLOT	
SCD-75	3/4"	1-3/4	3-1/2	5-1/4	7	24, 30, 36, 48, 60
SCD-10	1"	2	4	6	8	
SCD-15	1-1/2"	2-1/2"	5	7-1/2	10	

MODEL TBF SIZE	SLOT WIDTH	W				L
		1-SLOT	2-SLOT	3-SLOT	4-SLOT	
	3/4"	2	3-3/4	5-1/2	7-1/4	24, 30, 36, 48, 60
	1"	2-1/4	4-1/4	6-1/4	8-1/4	
	1-1/2"	2-3/4	5-1/4	7-3/4	10-1/4	

	Inlet Size	X	Y	H
1 & 2 SLOT	5" Ø	4-7/8	4-7/8	8
	6" Oval	6-13/32	4-7/8	8
	8" Oval	9-19/32	4-7/8	8
	10" Oval	12-23/32	4-7/8	8
	12" Oval	14-5/32	7-7/8	11
3 & 4 SLOT	5" Ø	4-7/8	4-7/8	11
	6" Ø	5-7/8	5-7/8	11
	8" Ø	7-7/8	7-7/8	11
	10" Oval	11	7-7/8	11
	12" Oval	14-5/32	7-7/8	11

All dimensions are in inches.

JOB NAME:

SUBMITTED BY: