

Anemostat® SUBMITTAL

1220 Watson Center Road • Carson, CA 90745-4206
 (310) 835-7500 • FAX (310) 835-0448
 airhelp@anemostat.com • www.anemostat.com

Model **SLAD** MITERED CORNERS FACE MITER 90°

DIFFUSERS

PRODUCT FEATURES

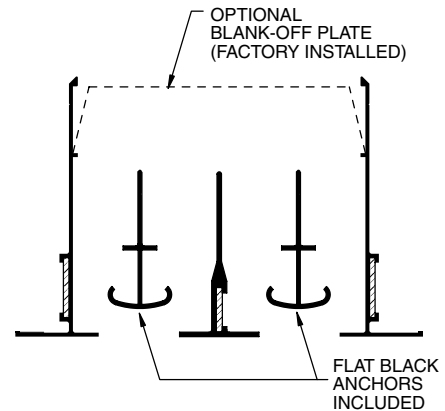
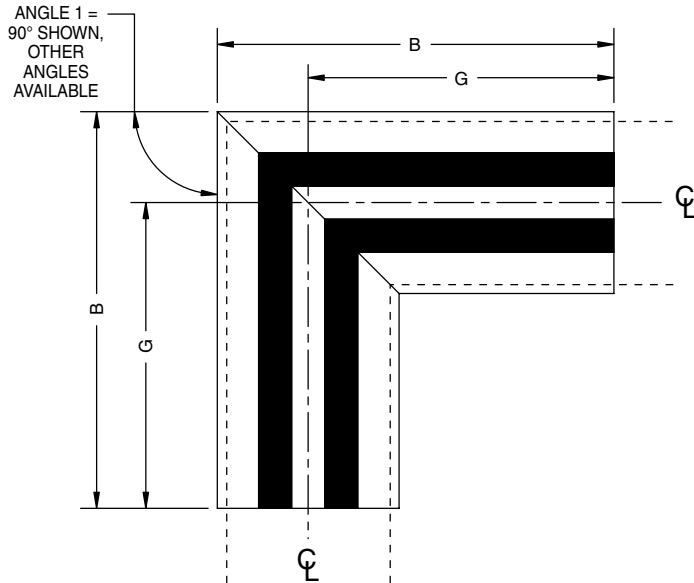
- Welded corner with standard 90° face miter
- Available to match any SLAD mounting frame style, slot quantity, slot width
- Retains same appearance as adjoining units

CONSTRUCTION DETAILS

- Material:** Extruded Aluminum
 (same as SLAD diffusers and returns)
- Finish:** Arctic white outer flanges and center tees (**std**)
 Flat black anchors (**std**)
- Custom Colors (opt)

ACCESSORIES

- Blank-off plate (factory installed)
 coated steel



REFER TO
 SPECIFIC
 LINEAR DIFFUSER
 SUBMITTAL SHEET
 (CROSS SECTION)
 FOR CEILING
 OPENING

90 Degree Face Miter

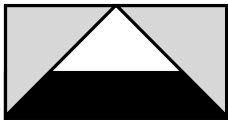
# Slots	G	Dimension B							
		SLAD-FS				SLAD-PS			
		-50	-75	-100	-150	-50	-75	-100	-150
1	10	11 3/8	11 1/2	11 3/4	12 9/16	11	11 1/8	11 1/2	12 1/4
2	10	12	12 1/4	12 3/4	14 1/16	11 5/8	11 7/8	12 1/2	13 3/4
3	14	16 5/8	17	17 3/4	19 9/16	16 1/4	16 5/8	17 1/2	19 1/4
4	14	17 1/4	17 3/4	18 3/4	21 1/16	16 7/8	17 3/8	18 1/2	20 3/4
5	14	17 7/8	18 1/2	19 3/4	22 9/16	17 1/2	18 1/8	19 1/2	22 1/4
6	14	18 1/2	19 1/4	20 3/4	24 1/16	18 1/8	18 7/8	20 1/2	23 3/4
7	20	25 1/8	26	27 3/4	31 9/16	24 3/4	25 5/8	27 1/2	31 1/4
8	20	25 3/4	26 3/4	28 3/4	33 1/16	25 3/8	26 3/8	28 1/2	32 3/4

- CONTACT FACTORY FOR MORE THAN 8 SLOTS, OTHER ANGLES
- REFER TO SUBMITTAL DETAIL FOR CROSS SECTION DIMENSIONS
- 2 SLOT SHOWN

All dimensions are in inches.

JOB NAME:

SUBMITTED BY:



Anemostat®

SUBMITTAL

A MESTEK COMPANY

1220 Watson Center Road • Carson, CA 90745-4206
 (310) 835-7500 • FAX (310) 835-0448
 airhelp@anemostat.com • www.anemostat.com

Model **SLAD**

MITERED CORNERS

FACE MITER 45°

DIFFUSERS

PRODUCT FEATURES

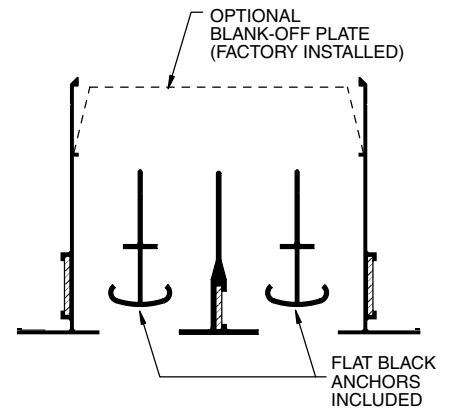
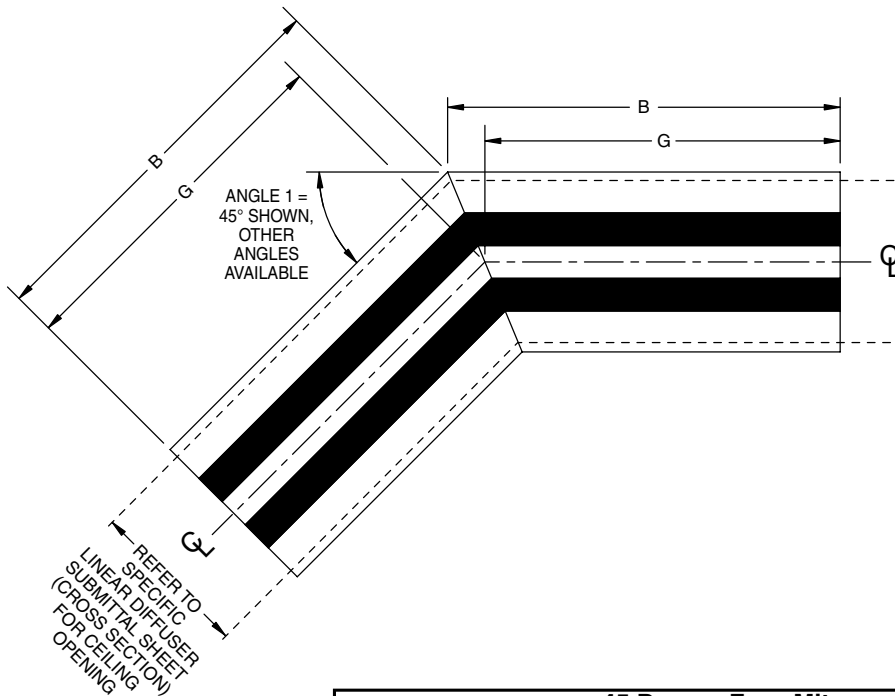
- Welded corner with standard 45° face miter
- Available to match any SLAD mounting frame style, slot quantity, slot width
- Retains same appearance as adjoining units

CONSTRUCTION DETAILS

- Material:** Extruded Aluminum
 (same as SLAD diffusers and returns)
- Finish:** Arctic white outer flanges and center tees (**std**)
 Flat black anchors (**std**)
- Custom Colors (opt)

ACCESSORIES

- Blank-off plate (factory installed)
 coated steel



45 Degree Face Miter									
# Slots	G	Dimension B							
		SLAD-FS				SLAD-PS			
		-50	-75	-100	-150	-50	-75	-100	-150
1	10	10 5/8	10 5/8	10 3/4	11 1/16	10 7/16	10 1/2	10 5/8	10 15/16
2	10	10 7/8	10 15/16	11 3/16	11 11/16	10 11/16	10 13/16	11 1/16	11 9/16
3	14	15 1/8	15 1/4	15 9/16	16 5/16	14 15/16	15 1/8	15 1/2	16 3/16
4	14	15 3/8	15 9/16	16	16 15/16	15 1/4	15 7/16	15 7/8	16 13/16
5	14	15 5/8	15 7/8	16 7/16	17 9/16	15 1/2	15 3/4	16 5/16	17 7/16
6	14	15 7/8	16 3/16	16 13/16	18 3/16	15 3/4	16 1/16	16 3/4	18 1/16
7	20	22 1/8	22 1/2	23 1/4	24 13/16	22	22 3/8	23 1/8	24 11/16
8	20	22 7/16	22 13/16	23 5/8	25 7/16	22 1/4	22 11/16	23 9/16	25 5/16

- CONTACT FACTORY FOR MORE THAN 8 SLOTS, OTHER ANGLES
- REFER TO SUBMITTAL DETAIL FOR CROSS SECTION DIMENSIONS
- 2 SLOT SHOWN

All dimensions are in inches.

JOB NAME:

SUBMITTED BY: