



Anemostat® SUBMITTAL

1220 Watson Center Road • Carson, CA 90745-4206
 (310) 835-7500 • FAX (310) 835-0448
 air@anemostat.com • www.anemostat-hvac.com

Model **SLSD** STEEL LINEAR SLOT DIFFUSERS LAY-IN T-BAR ONE WAY THROW

DIFFUSERS

PRODUCT FEATURES

- Steel, fixed air pattern ceiling diffuser with 1 to 4 slots
- "Draftless" air distribution ideal for VAV systems
- Integral plenum reduces air leakage
- Choice of inlet locations. Specify type Z or U.

CONSTRUCTION DETAILS

Material: 24 GA Galvannealed Steel

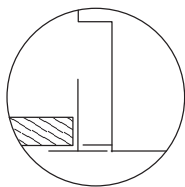
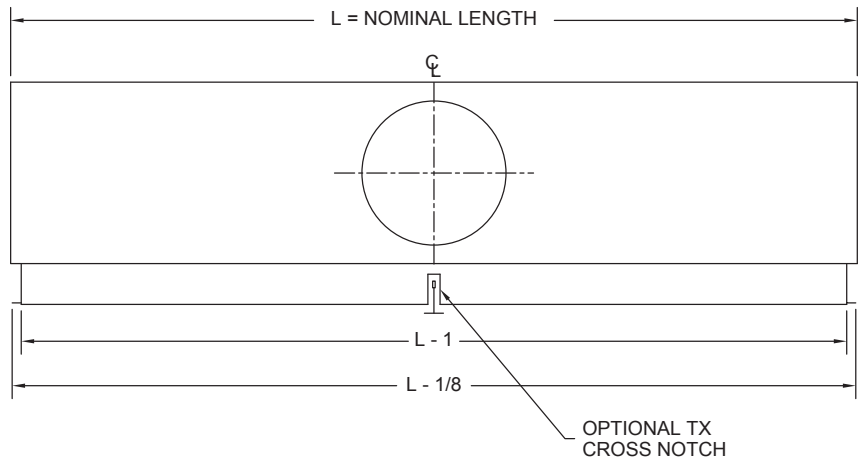
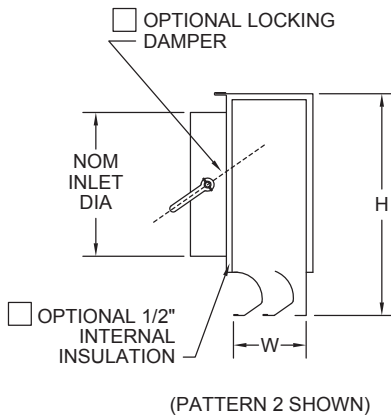
Finish: White on exposed surfaces (std)

Special Finish (opt)

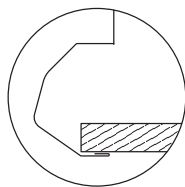
Models

SLSD-L

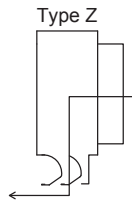
SLSD-TX 4' unit with TX cross notch for 2' x 2' grid system



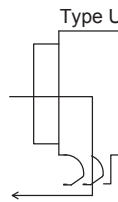
END EDGE DETAIL



TILE FLANGE DETAIL

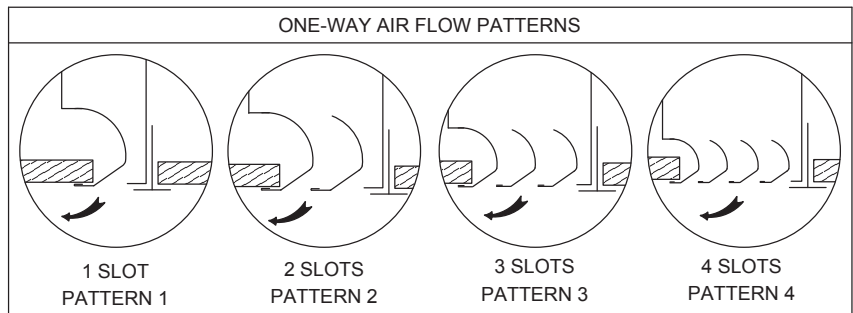


Type Z



Type U

PLENUM INLET TYPES



T-BAR AND TILES SHOWN FOR CLARITY ONLY, PROVIDED BY OTHERS

AIR PATTERN	DIFFUSER WIDTH W
1	1 13/16
2	3 1/16
3	4 5/16
4	5 9/16

NOMINAL LENGTH L
24
36
48
60

INLET DIAMETER	DIFFUSER HEIGHT H
5, 6	9 1/4
7, 8, 9	12 7/16
10	14

All dimensions are in inches.

JOB NAME:

SUBMITTED BY: