



Anemostat® SUBMITTAL

1220 Watson Center Road • Carson, CA 90745-4206
 (310) 835-7500 • FAX (310) 835-0448
 air@anemostat.com • www.anemostat-hvac.com

Model **SLSR**
STEEL LINEAR SLOT RETURN
 9/16" NARROW SLOT
 TWO WAY SLOT

DIFFUSERS

PRODUCT FEATURES

- Steel ceiling plenum return unit with 1 to 4 slots
- Matches supply diffusers model SLSD
- End caps notched as standard to straddle existing grid

CONSTRUCTION DETAILS

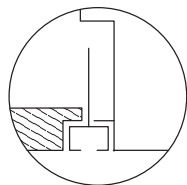
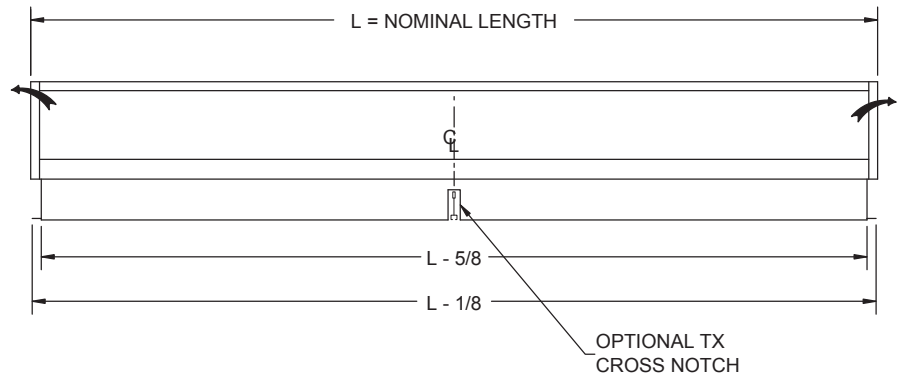
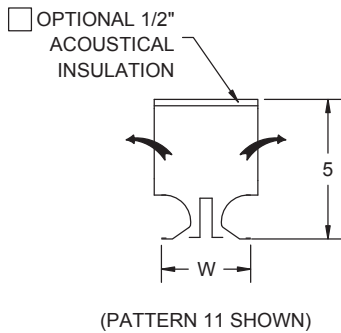
Material: 24 GA Galvannealed Steel

Finish: White on exposed surfaces (std)

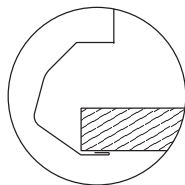
- Special Finish (opt)

Models

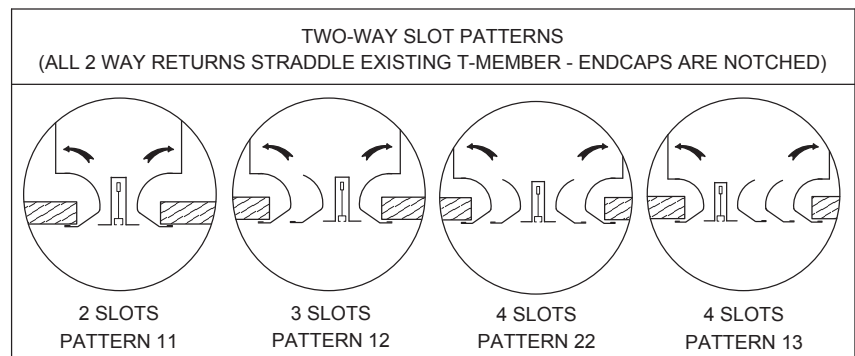
- SLSR-D** Straddles T-Bar (notched end caps)
- SLSR-DX** 4' unit straddles T-Bar (notched end caps) with TX cross notch for 2' x 2' grid system



END EDGE DETAIL



TILE FLANGE DETAIL



T-BAR AND TILES SHOWN FOR CLARITY ONLY, PROVIDED BY OTHERS

SLOT PATTERN	DIFFUSER WIDTH W	NOMINAL LENGTH L
11	4 1/8	24
12	5 3/8	36
22	6 5/8	48
13	6 5/8	60

All dimensions are in inches.

JOB NAME:

SUBMITTED BY: