



PRODUCT FEATURES

- Rated at 180 CFM for perimeter zone & high solar load applications
- Durable, powder coated cast aluminum face & directional grilles or available in two durable, extruded aluminum linear bar style grilles
- VAV thermostat or sensor control
- Easy to install, clean, and relocate with shallow galvanized chasis
- Gasketed for air leakage control
- Plug & play 24VAC Seimens actuator & low leakage, 90 degree damper

CONSTRUCTION FEATURES

Grille Finish:

- Natural Anodized
- White
- Custom Color : _____

GRILLES OPTIONS

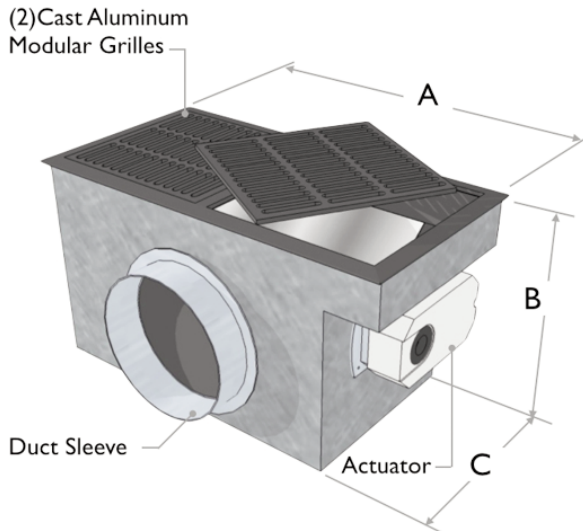
Rectangular Grilles:

- Modular Core - Cast Aluminum

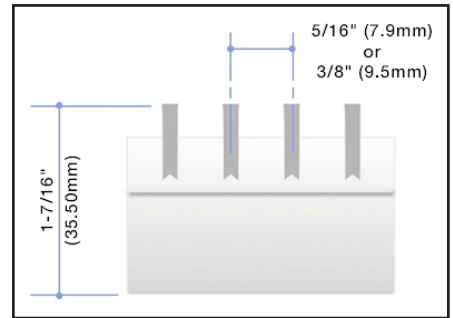
Linear Bar Grilles:

- 0° deflection blades on 5/16" centers
- 10° deflection blades on 5/16" centers
- 0° deflection blades on 3/8" centers
- 10° deflection blades on 3/8" centers

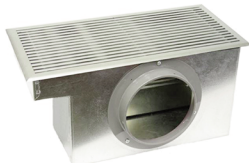
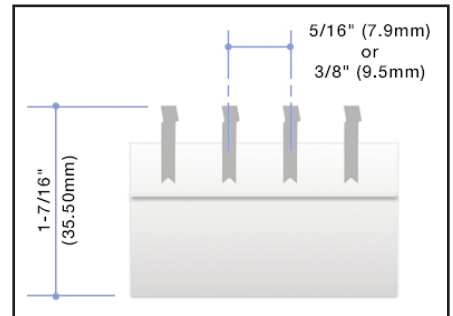
Ducted VAV Model - Shown



0° Deflection



10° Deflection



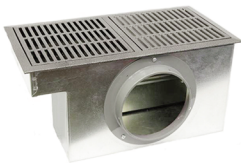
Ducted Manual Model with Linear Bar Grille



Ducted VAV Model 24VAC Actuator with Linear Bar Grille



Ductless VAV Model 24VAC Actuator with Linear Bar Grille



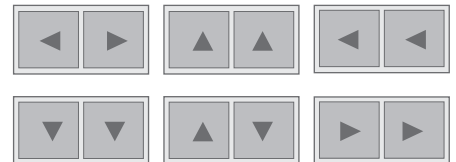
Ducted Manual Model with Modular Core Grille



Ducted VAV Model 24VAC Actuator with Modular Core



Ductless VAV Model 24VAC Actuator with Modular Core



Modular core grille plates can be rotated at 90 degrees for optimal air flow control.

All dimensions are in inches.

JOB NAME:

SUBMITTED BY: