

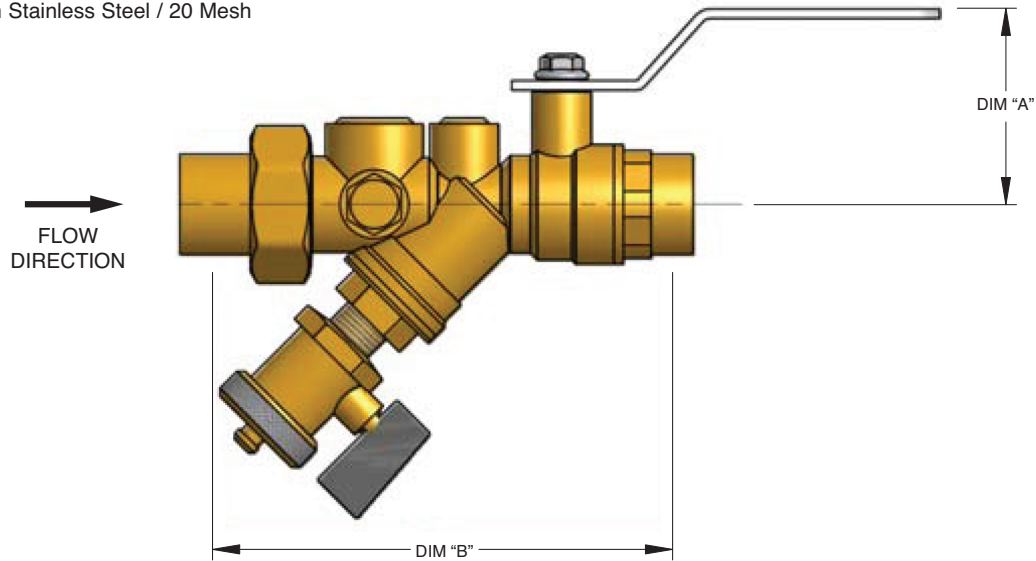
- Manual Ball Valve
- Strainer with Blowdown Valve
- Sizes 1/2", 3/4", 1"

PRODUCT FEATURES

- Nominal Working Pressure: 600 WOG
- Working Temperature: -4°F (-20°C) ≤ t ≤ 230°F (110°C)
- Blowdown Valve w/ Hose Connector
- 1 Pressure/Temperature Port
- Lever Handle Factory
- Inlet Connections FSWT, FNPT or MNPT
- Outlet Connections FSWT or FNPT
- Strainer Screen Stainless Steel / 20 Mesh

OPTIONS

- Extended Handles & Pressure Temperature Port
- Manual Air Vent Port
- If Right or Left Hand Porting is Needed on the Strainer, Consult Factory



Dimensions*		
Size (In)	"A"	"B"
1/2 (YS)	2.0	3.4
3/4 (YS)	2.0	3.4
3/4 (YM)	2.0	4.2
1 (YM)	2.0	4.2

* Dimensions listed are approximate. Various connections types can change the lay lengths. Consult factory for more detail.

MATERIAL SPECIFICATIONS	
Seats	PTFE
Ball	Brass
Stem	Brass
Handle	Steel
Valve Body	Brass
Screw	Steel
O-Rings	EPDM
Hex Socket Pipe Plug	Brass
Union Nut	Brass
Tailpiece	Brass
Fixed End	Brass
Pressure/Temperature Ports	Brass
Strainer	Stainless Steel

¹ Extended Handles cannot be ordered without extended Pressure/Temperature Ports

Manufactured by Hays Fluid Controls

All dimensions are in inches.

JOB NAME:

SUBMITTED BY: