

Model **2514**

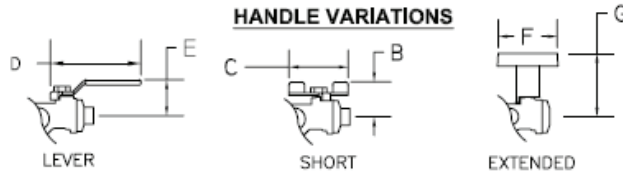
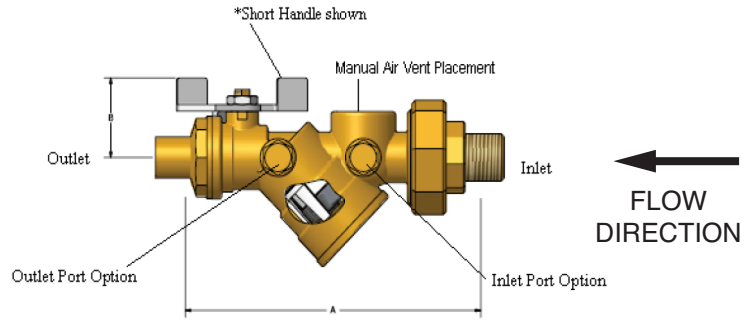
- Manual Ball Valve
- Mesurflo Fixed Auto Flow Control
- Changeable Flow Cartridge (Y-Body)
- .50 – 9.0 GPM
- Sizes 1/2", 3/4", 1"

Standard Features:

- FNPT, FSWT and MNPT Outlet / Inlet Connections
- Changeable GPM Flow Cartridges
- Flow Rates Available:
0.50, 0.63, 0.75, 1.0, 1.13, 1.25, 1.5, 1.63, 1.75, 2.0, 2.25, 2.5, 3.0, 3.25, 3.5, 4.0, 4.5, 5.0, 5.5, 6.0, 6.5, 7.0, 7.5, 8.0, 9.0
- Differential Operating Pressure:
2-80 PSID 0.50-5.00 GPM
3-80 PSID 5.50-9.00 GPM
- ± 10% Accuracy
- Operating Temperature Range
32°F to 225° F
- 1/4" Pressure / Temperature Ports
- Short* or Lever Handle
- Right or Left Hand Porting
- Inlet and Outlet Port Options
- Valves Labeled with Model No., Size & Flow Rate
- Dryseal Pipe Threads
- Valve Body Suitable for 600 PSIG

Options:

- None (Ports Not Machined)
- Plugged (Ports Machined w/1/4" Plug)
- Pressure Taps
- Extended Handles
- Extended Pressure / Temperature Ports
- Manual Air Vent (Placed in Top Port)
- Stainless Steel Tag-Chain Upon Request



Dimensions						
	IN	MM			IN	MM
A	5.9	149		E	1.6	41
B	1.5	38		F	2.4	61
C	2.6	66		G	2.5	64
D	4	102				

MATERIAL SPECIFICATIONS	
Valve Body	Brass
Union End	Brass
Ball	Chrome Plated Brass
Pressure/ Temperature Ports	Brass
O-Rings	EPDM
Ball Seat	Teflon
Stem	Brass
End Cap	Brass
Diaphragm	EPDM
Ball Valve End Fitting	Brass
Short Handle	Zinc Plated Steel
Coupling Nut	Brass
Orifice	Polyphenylsulfone

Manufactured by Hays Fluid Controls

All dimensions are in inches.

JOB NAME:

SUBMITTED BY: