

Model **2515**

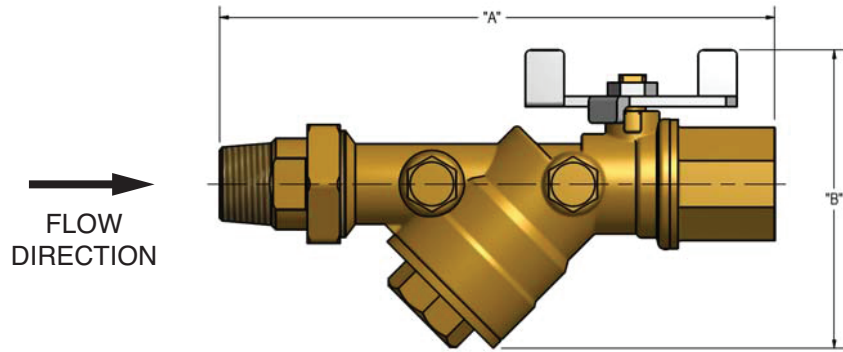
- Manual Ball Valve
- Mesurflo Fixed Auto Flow Control
- Changeable Flow Cartridge (Y-Body)
- .50 – 9.0 GPM
- Sizes 1/2", 3/4"

Standard Features:

- FNPT, FSWT and MNPT Outlet / Inlet Connections
- Changeable GPM Flow Cartridges
- Differential Operating Pressure:
2-80 PSID 0.50-5.00 GPM
3-80 PSID 5.50-9.00 GPM
- ± 10% Accuracy
- Operating Temperature Range
32°F to 225° F
- 1/4" Pressure / Temperature Ports
- Lever or Short Handle (Pictured)
- Inlet and Outlet Port Options
- Valves Labeled with Model No., Size & Flow Rate
- Dryseal Pipe Threads
- Valve Body Suitable for 600 PSIG

Options:

- Extended Handles
- Extended Pressure / Temperature Ports
- Stainless Steel Tag-Chain Upon Request



| Dimensions | | | |
|------------|-----|------|----|
| A | | B | |
| IN | MM | IN | MM |
| 6.5 | 165 | 3.47 | 88 |

| MATERIAL SPECIFICATIONS | |
|-----------------------------|---------------------|
| Valve Body | Brass |
| Ball | Chrome Plated Brass |
| Pressure/ Temperature Ports | Brass |
| O-Rings | EPDM |
| Ball Seat | Teflon |
| Stem | Brass |
| End Cap | Brass |
| Diaphragm | EPDM |
| Ball Valve End Fitting | Brass |
| Short Handle | Zinc Plated Steel |
| Orifice | Polyphenylsulfone |

Manufactured by Hays Fluid Controls

All dimensions are in inches.

JOB NAME:

SUBMITTED BY: