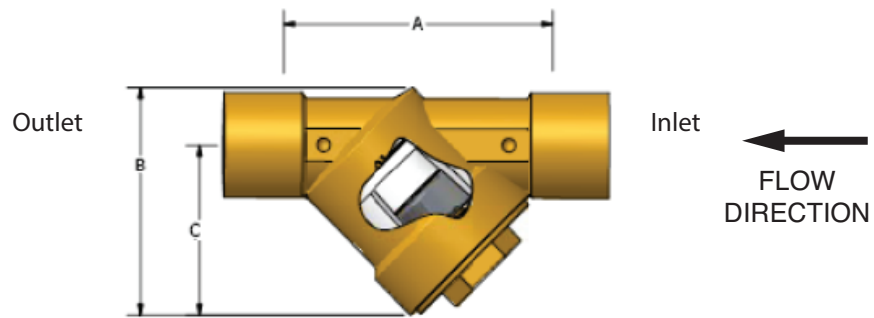


Model **2517**

- Mesurflo Fixed Auto Flow Control
- Changeable Flow Cartridge (Y-Body)
- .50 – 9.0 GPM
- Sizes 1/2", 3/4"

**Standard Features:**

- FSWT Outlet / Inlet Connections
- Changeable GPM Flow Cartridges
- Differential Operating Pressure:  
2-80 PSID 0.50-5.00 GPM  
3-80 PSID 5.50-9.00 GPM  
± 10% Accuracy
- Operating Temperature Range  
32°F to 225° F
- Valves Labeled with Model No., Size & Flow Rate
- Valve Body Suitable for 600 PSIG



Dimensions				
Size	1/2"		3/4"	
	IN	MM	IN	MM
A	2.04	52	2.36	60
B	2.12	54	2.11	54
C	1.58	40	1.58	40

MATERIAL SPECIFICATIONS	
Valve Body	Brass
End Cap	Brass
O-Rings	EPDM
Diaphragm	EPDM
Orifice	Polyphenylsulfone

Manufactured by Hays Fluid Controls

All dimensions are in inches.

**JOB NAME:**

**SUBMITTED BY:**