

**PRODUCT FEATURES**

- 360° horizontal air pattern
- Removable inner cone assembly

**CONSTRUCTION DETAILS**

**Material:** 22 GA Cold Rolled Steel (std)

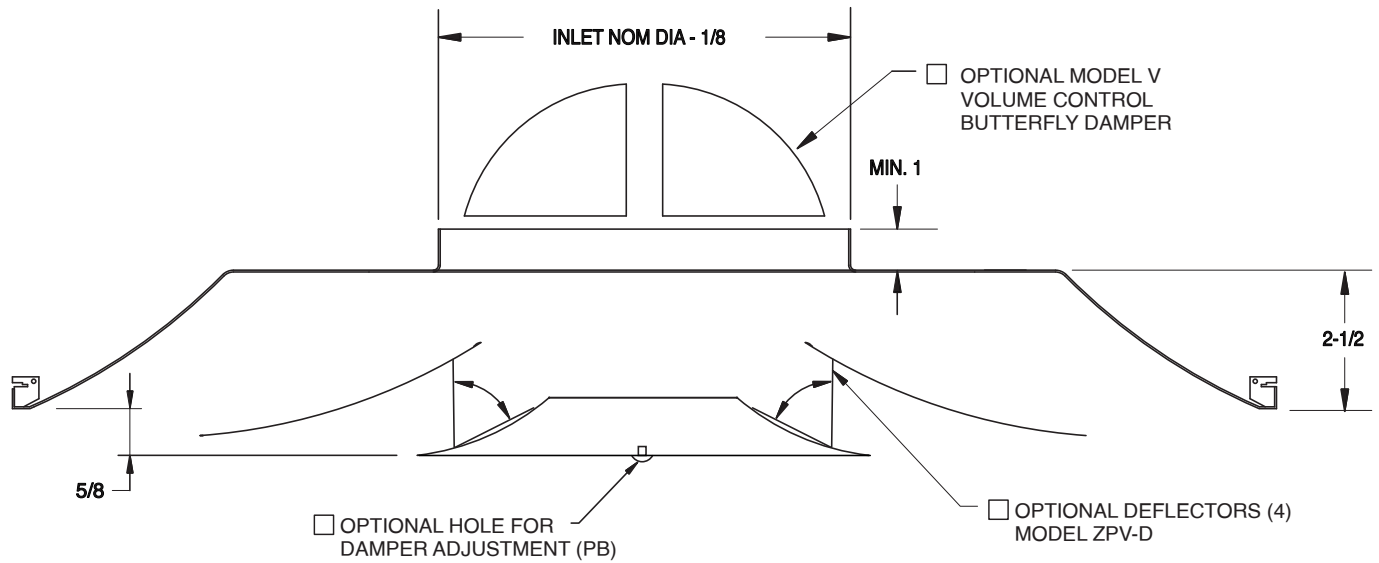
- 18 GA Aluminum (opt)
- 22 GA 304 Stainless Steel (opt)

**Finish:** White (std)

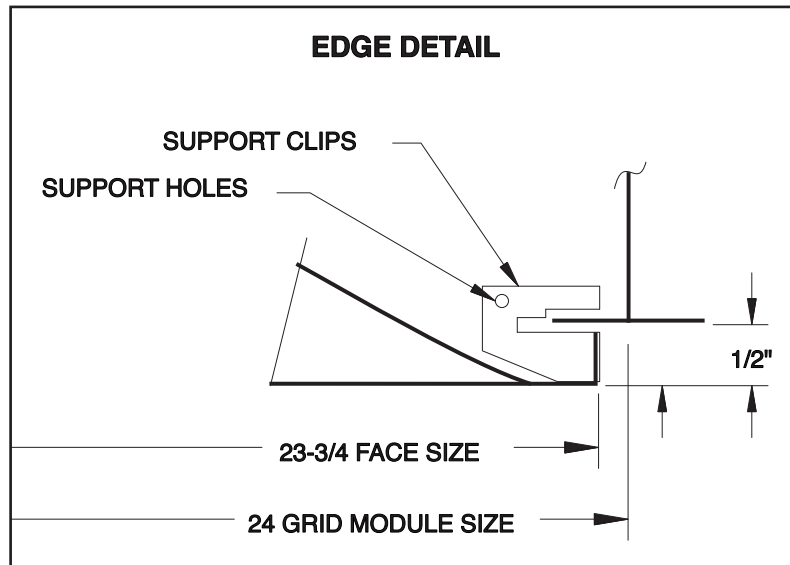
- Custom Colors (opt)

**MODELS**

- ZPV** 4-Way Air Pattern
- ZPV-D** With Deflectors for Horizontal Pattern Control (1,2,3,4-Way Blow Patterns)



AVAILABLE INLET SIZES, DIA
04
05
06
08
10
12
14
15



All dimensions are in inches.

JOB NAME:

SUBMITTED BY: