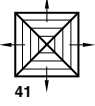
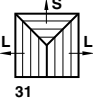
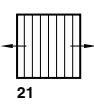
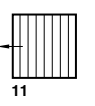
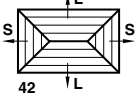
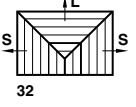
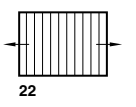
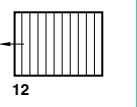
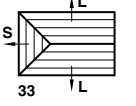
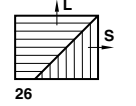
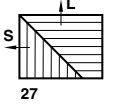
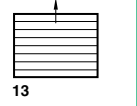


- MODELS**
- STAINLESS STEEL**
- SSDF - FLANGE
 - SSDM - BEVELED
 - SSDP - LAY-IN
- ALUMINUM - MRI APPLICATIONS**
- XDF-MRI - FLANGE
 - XDM-MRI - BEVELED
 - XDP-MRI - LAY-IN

| CORE PATTERNS | | | | |
|---------------|--|---|---|---|
| | 4 WAY | 3 WAY | 2 WAY | 1 WAY |
| SQUARE |  41 |  31 |  21 |  11 |
| RECTANGULAR |  42 |  32 |  22 |  12 |
| |  33 |  26 |  27 |  13 |



Model SSDP Shown

- MATERIAL**
- 304 STAINLESS STEEL
 - 316 STAINLESS STEEL
 - MRI - ALL ALUMINUM

- SIZES**
- DF - 6 x 6 to 51 x 51
 - DM - 6 x 6 to 51 x 51
 - DP - 6 x 6 to 42 x 42

- PANEL SIZES**
(MODEL DP ONLY)
- 12 x 12 to 48 x 48

- FINISH**
- SATIN POLISHED FINISH ON EXPOSED SURFACES (STAINLESS STEEL ONLY)
 - ARCTIC WHITE
 - OPTIONAL ANEMOSTAT COLORS
 - CUSTOM COLOR MATCH
 - MILL FINISH

- SRA INLET SIZE**
- | | |
|----------------------------------|----------------------------------|
| <input type="checkbox"/> NONE | <input type="checkbox"/> 12 INCH |
| <input type="checkbox"/> 5 INCH | <input type="checkbox"/> 14 INCH |
| <input type="checkbox"/> 6 INCH | <input type="checkbox"/> 15 INCH |
| <input type="checkbox"/> 7 INCH | <input type="checkbox"/> 16 INCH |
| <input type="checkbox"/> 8 INCH | <input type="checkbox"/> 18 INCH |
| <input type="checkbox"/> 9 INCH | <input type="checkbox"/> 20 INCH |
| <input type="checkbox"/> 10 INCH | <input type="checkbox"/> 21 INCH |

- OPTIONAL EQUIPMENT**
(UNIT MOUNTED)
- BOB - BLANK-OFF BAFFLE 1, 2 & 3 WAY
 - SRA - SQUARE TO ROUND ADAPTER (INLET SIZES 5" to 21")
 - DOB - OPPOSED BLADE DAMPER (DUCT MOUNTED)

