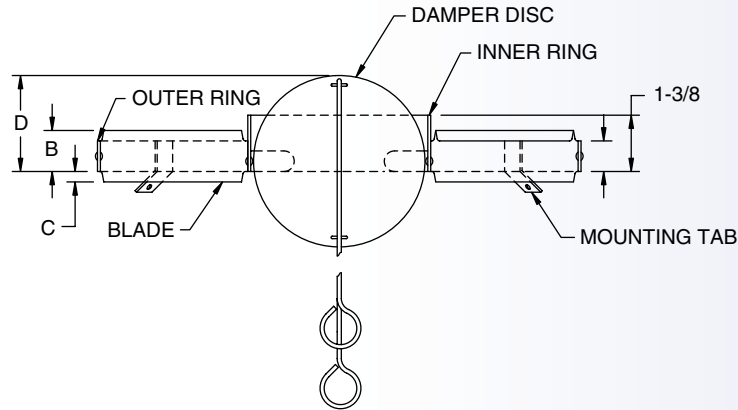
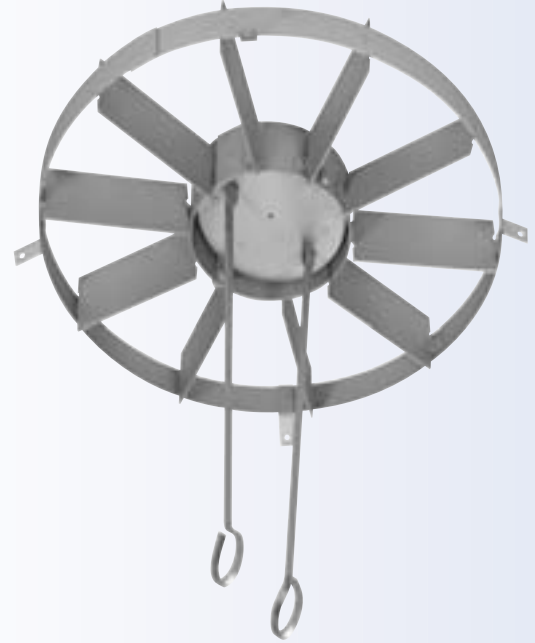


### APPLICATION

- Radial deflectors for equalization of air flow and pattern control. Used with Model HU-4.
- For projection heating applications, radial blades are set vertically and disc damper is wide open. For spot ventilating, disc damper is open. For cooling applications, radial blades are set at approximately 30° from vertical and damper is fully closed.

### PRODUCT FEATURES

- Installs in neck of diffuser
- Face-operated disc damper surrounded by flat radial blades.
- Steel construction with flat black finish.
- Field installed accessory



SIZE	NECK DIA.	OUTER RING OD	INNER RING ID	NO. OF BLADE	A	B	C	D
10	10	9-3/4	3-5/8	8	3/4	1-1/4	1/4	2-1/4
12	12	11-3/4	4-1/2	8	3/4	1-1/4	1/4	2-5/8
15	15	14-3/4	5	10	3/4	1-1/4	1/4	2-7/8
18	18	17-3/4	6	10	1	2	1/2	3-5/8
21	21	20-3/4	7	10	1	2	1/2	4-1/8
24	24	23-3/4	8	12	1	2	1/2	4-5/8
30	30	29-3/4	10	14	1	2	1/2	5-5/8