

APPLICATION

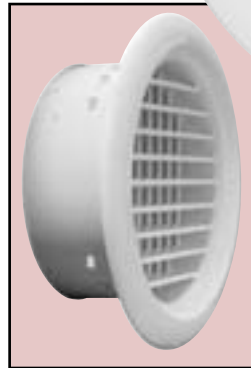
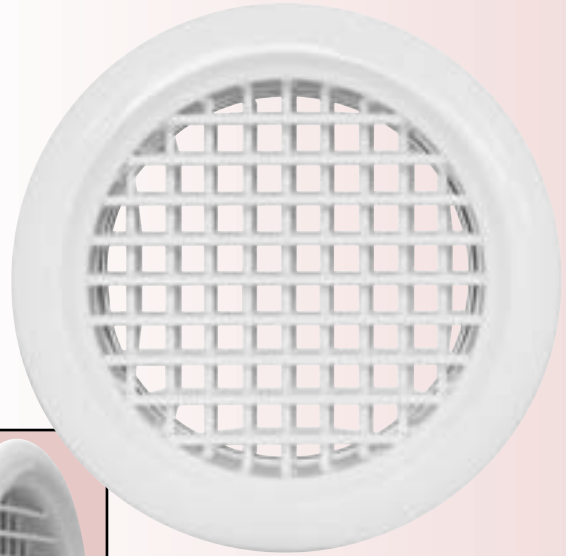
- Round, double deflection supply air grille visually enhances space appearance
- Recommended for constant or variable air volume heating, cooling, or ventilating applications
- Versatile directional, throw distance, and spread pattern control
- Side wall, ceiling, or duct mounted applications – any orientation

PRODUCT FEATURES

- Flexible pattern control for direction and spread of air to suit any application
- Heavy gauge aluminum construction for years of corrosion-resistant performance
- Aerodynamic blades are extruded aluminum resulting in lowest achievable sound and pressure levels – adjustable from 0°- 45° deflection angles.
- Individually adjustable blades spaced on 1" centers
- Duct mounting ring included for concealed fastening – no screw holes in border.
- Bright White, high gloss baked-on finish

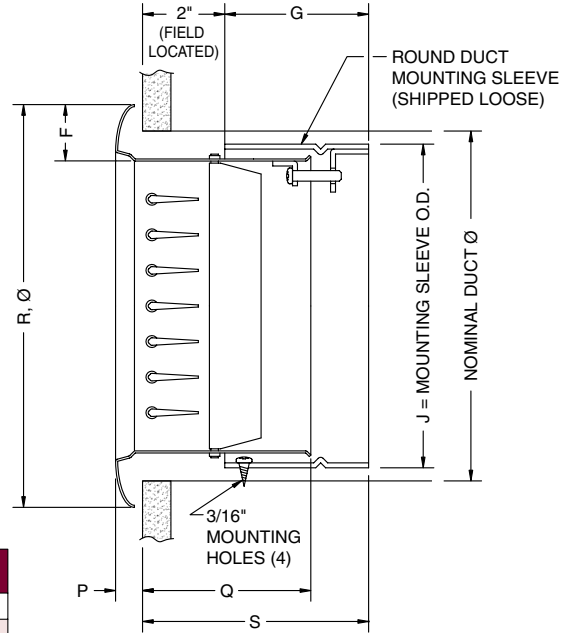
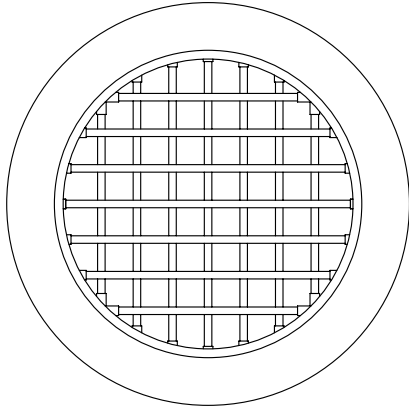
GRILLE OPTIONS

- Model COB opposed blade volume control damper (shipped loose)
- Model VD butterfly volume control damper (shipped loose)
- Mill finish or custom paint colors



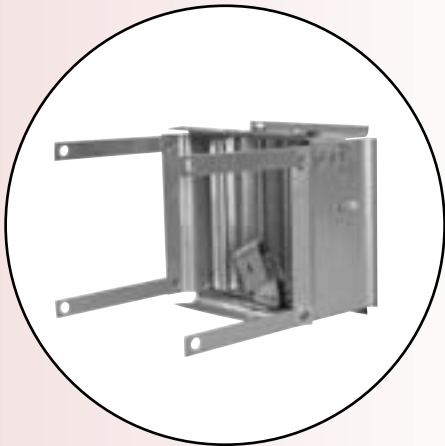
Concealed duct mounting, eliminates unsightly screw holes (rear view of grille attachment to mounting sleeve shown)



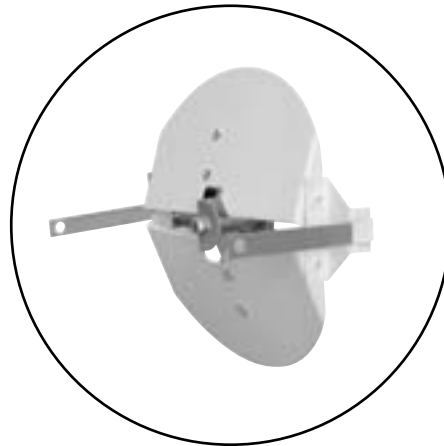


| MODEL | NOMINAL DUCT DIA. | R, Ø | F | P | Q | S | J, Ø | G |
|--------|-------------------|---------|---------|-------|---------|---------|----------|---------|
| HLO-6 | 6" Ø | 7-5/8 | 1-1/4 | 1/2 | 3-13/16 | 5-1/2 | 5-13/16 | 3-1/2 |
| HLO-8 | 8" Ø | 10 | 1-7/16 | 1/2 | 3-13/16 | 5-1/2 | 7-13/16 | 3-1/2 |
| HLO-10 | 10" Ø | 12-5/8 | 1-13/16 | 5/8 | 3-13/16 | 5-1/2 | 9-3/4 | 3-1/2 |
| HLO-12 | 12" Ø | 14-5/8 | 1-13/16 | 5/8 | 3-13/16 | 5-1/2 | 11-3/4 | 3-1/2 |
| HLO-14 | 14" Ø | 16-9/16 | 1-13/16 | 5/8 | 3-13/16 | 5-1/2 | 13-11/16 | 3-1/2 |
| HLO-16 | 16" Ø | 18-9/16 | 1-13/16 | 5/8 | 3-13/16 | 5-1/2 | 15-11/16 | 3-1/2 |
| HLO-20 | 20" Ø | 23-5/8 | 2-3/8 | 15/16 | 4-1/16 | 6-11/16 | 19-3/4 | 4-11/16 |
| HLO-24 | 24" Ø | 27-9/16 | 2-3/8 | 15/16 | 4-1/16 | 6-11/16 | 23-11/16 | 4-11/16 |

VOLUME CONTROL DAMPERS



Model COB
(Attaches to mounting sleeve with "S" clips - shipped loose)



Model VD
(Attaches to mounting sleeve with "S" clips - shipped loose)

