

APPLICATION

- Recommended for heating, ventilating, spot cooling, and limited comfort cooling in industrial environments
- Effectively used for heating and ventilating systems in auditoriums, coliseums, and other large structures (low returns a MUST for satisfactory operation during winter heating periods)
- Mounting heights to 24 feet at max 15° F cooling differential – low returns allow increased mounting heights
- Manually adjustable diffuser to provide required pattern for the application – horizontal or vertical projection
- Install on exposed duct work or surface mounted

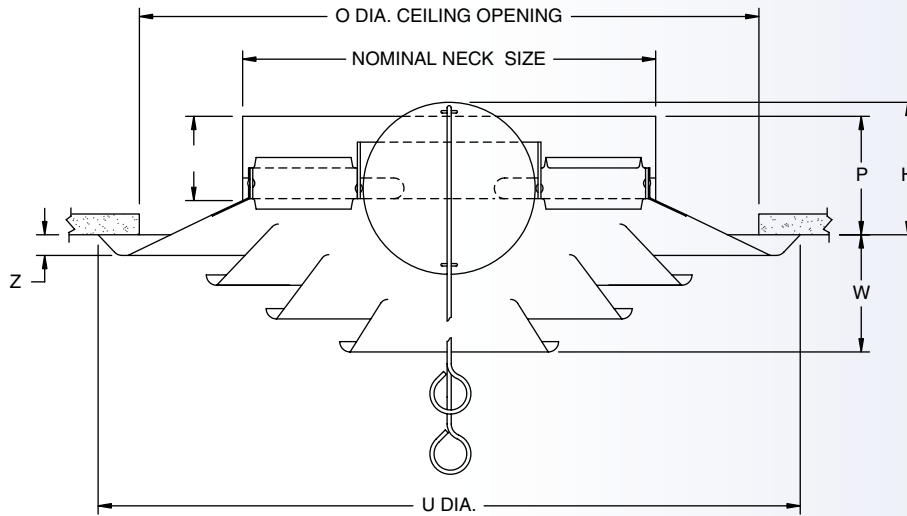


PRODUCT FEATURES

- Manually adjustable, steel diffuser with model DE-2 radial deflector for air pattern control
- Deflector is a pole operated disk-damper with radial, adjustable blades.
- 3 expanding cones designed with closed beads
- Arctic White baked-on finish

DIFFUSER OPTIONS

- Aluminum construction
- Custom or optional paint colors
- Accessories – see page G-2



NOMINAL NECK SIZE	H	O	P	U	W	R	Z
10	2-7/8	15	1-7/8	17	2-3/4	1	1/2
12	3-5/8	18-1/2	2-1/4	20-7/8	3-1/4	1	1/2
15	4-1/8	22-1/2	2-1/2	24-5/8	3-3/4	1	1/2
18	5-3/8	28	3-1/8	30-3/8	4-5/8	1	1/2
21	6-5/8	33-1/2	4-7/8	36-1/8	5-3/8	2	1/2
24	7-1/2	39	5-1/4	42-3/4	6-1/2	2	3/4
30	8-1/2	45	5-1/4	48-1/2	7-1/4	2	3/4