

model MV-1

Single Chamber Laminar Flow Panels

product description

APPLICATION

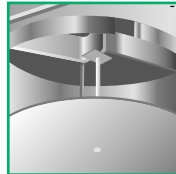
- Laminar flow panel to provide a source of clean air over critical work envelopes
- While no ceiling air panels that are designed for applications where clean air control is essential can match the performance aspects of the MV-2 dual chamber product, the MV-1 serves as an economical substitute
- Panels can be utilized individually to cover smaller, critical areas, or built-up into an array of multiple panels covering large areas

PANEL FEATURES

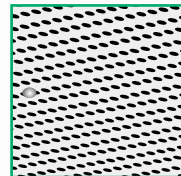
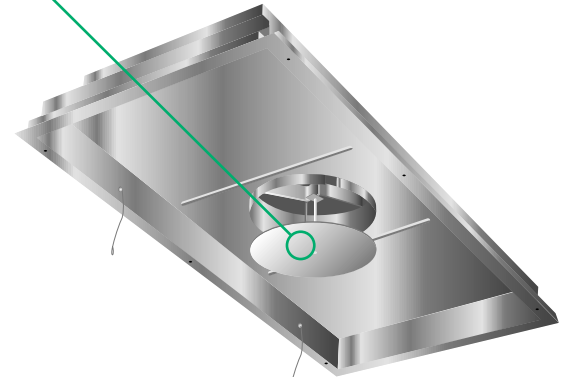
- Single chamber design provides vertical projection of air over critical work areas.
- Perforated face is 13% open, and removable via 1/4 turn fasteners for cleaning
- Face is hinged and swings down 90° for easy cleaning. Safety cables prevent face from accidentally swinging down.
- Balancing damper adjustable from panel face through hole with removable plug
- Closed cell gasket prevents leakage around face
- Available for lay-in T-bar or hard surface ceiling systems

PANEL OPTIONS

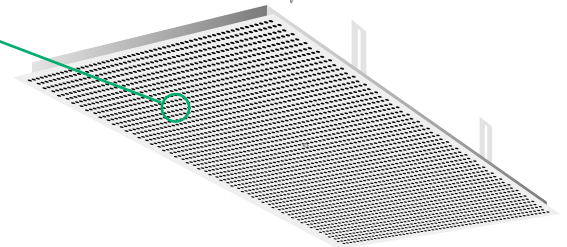
- Steel, aluminum, or stainless steel construction
- White, baked epoxy finish, satin polish (stainless steel).
- Contact factory for anodize finish options



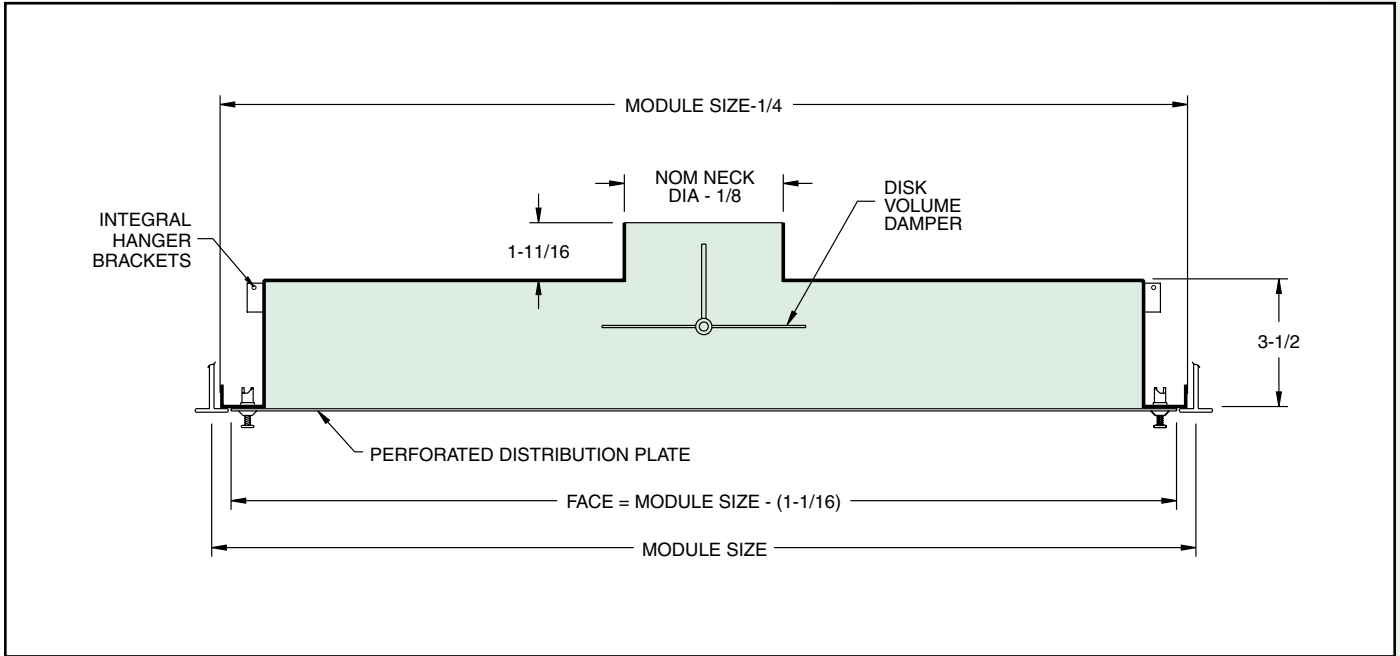
Volume control valve disc for precise air control to suit airflow requirements.



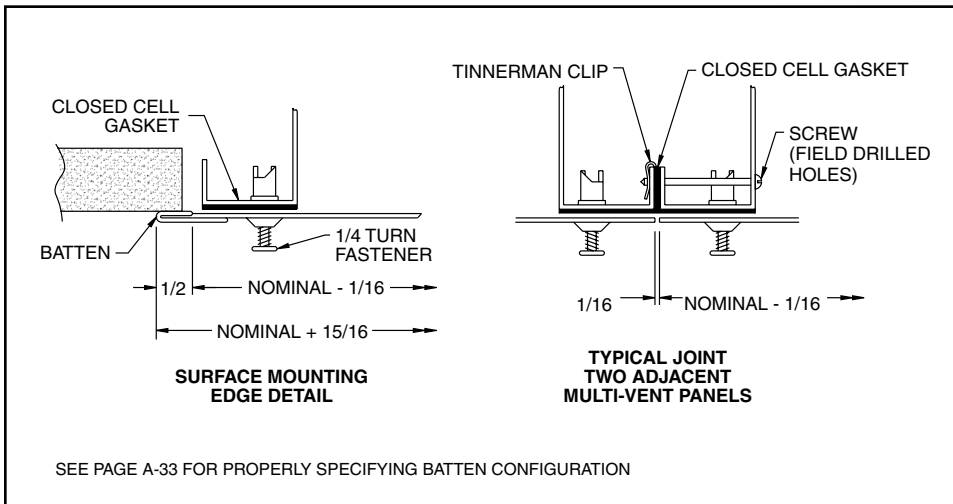
Perforated distribution plate with 13 percent free area as standard.



Model MV-1T - Lay-In T-Bar



Model MV-1P - Surface Mounted



PANEL DIMENSIONS		
Size	Nom. Size	Max Neck Size
082	8 x 24	5" DIA
083	8 x 36	
084	8 x 48	
085	8 x 60	
086	8 x 72	
122	12 x 24	
123	12 x 36	
124	12 x 48	
125	12 x 60	
126	12 x 72	
242	24 x 24	18" DIA
243	24 x 36	
244	24 x 48	
245	24 x 60	
246	24 x 72	
363	36 x 36	
364	36 x 48	
365	36 x 60	
366	36 x 72	