

APPLICATION

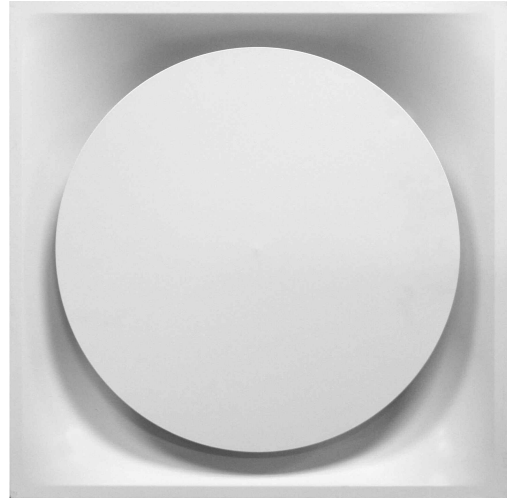
- Architecturally preferred diffuser appearance without sacrificing performance
- Recommended for constant or variable air volume heating, cooling, or ventilating
- 360° air pattern delivery maintains coanda effect even at low air flow rates and minimizes smudging
- For surface mounting or use with suspended grid systems

PRODUCT FEATURES

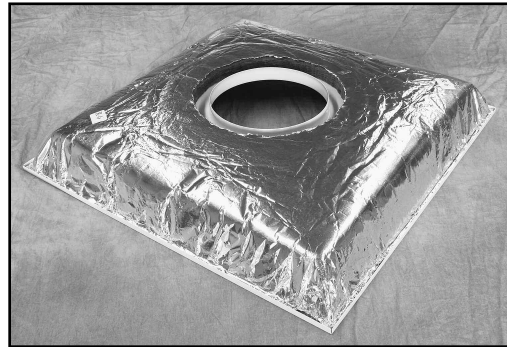
- Center plaque has smooth edges for rigidity and flat appearance
- Steel construction
- Smooth outer cone is die stamped (no mitered corners) and contoured to minimize sound and pressure loss
- Removable plaque assembly without use of tools. 4 posts interlock into outer cone.
- Arctic White baked-on finish

DIFFUSER OPTIONS

- Aluminum, or stainless steel construction
- Model B5 blank-off baffles for directional control from 4-way to 3, 2, or 1 way blow – field installed
- Custom or optional paint colors
- Model VD butterfly volume control damper
- Model TBF auxiliary mounting frame for hard / plaster ceilings
- All aluminum construction for MRI applications
- 30" x 30" Model PGR-D for 9/16" narrow slot grid systems



Model PGR-F



Model R6 - Molded Insulation Blanket
See page B-4 for details

AVAILABLE ROUND NECK SIZES										
	4	5	6	7	8	10	12	14	15	
12 x 12 FACE	•	•	•	•	•					
24 x 24 FACE			•		•	•	•	•	•	



12" x 12"
PGR-F Shown



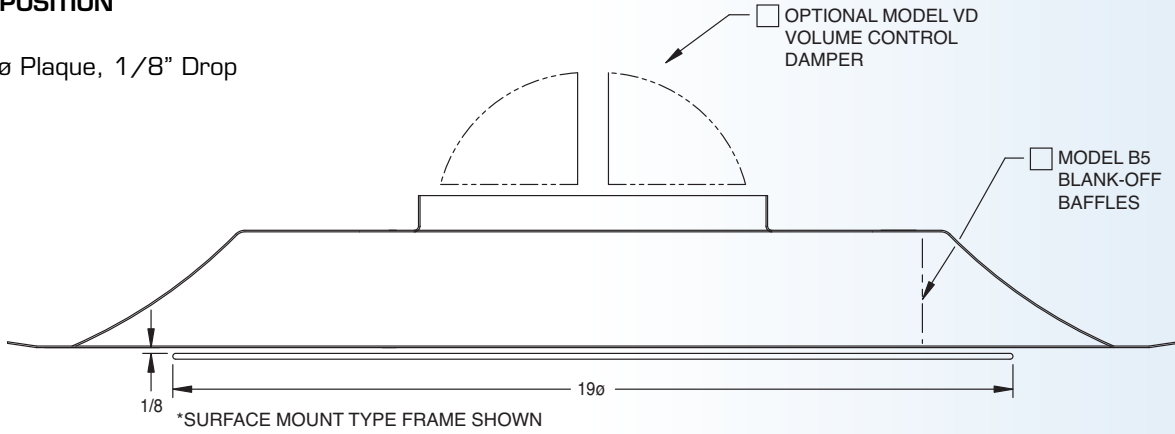
24" x 24"
PGR-L Shown with
Optional Model B5
Blank-off Baffle

Four Post
Plate to
Backpan
Construction

NOMINAL 24 X 24 DIFFUSER SIZE

PLAQUE POSITION

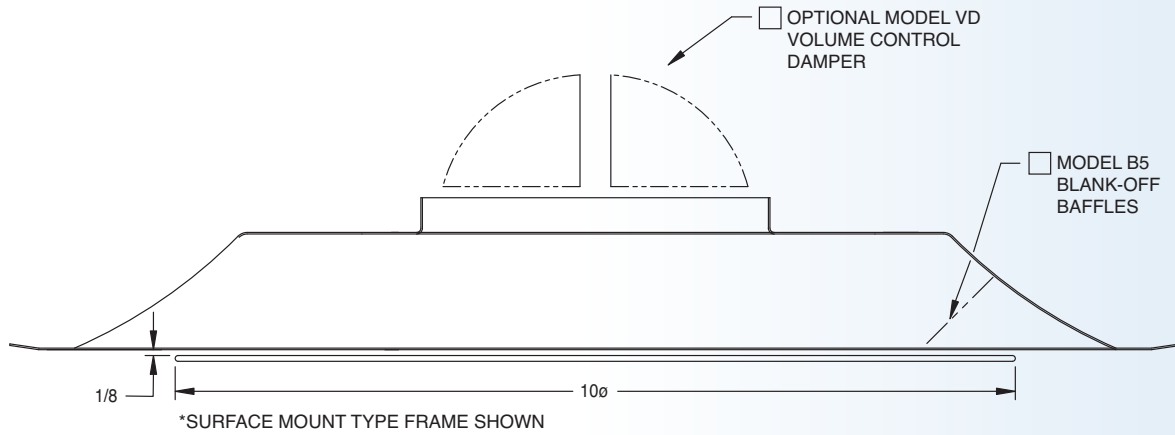
A 19"ø Plaque, 1/8" Drop



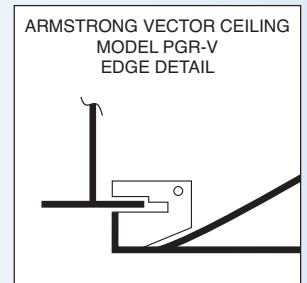
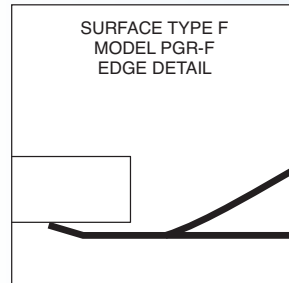
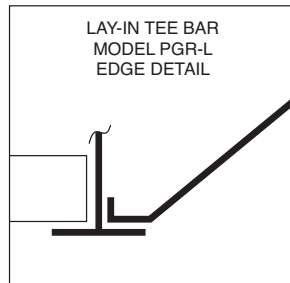
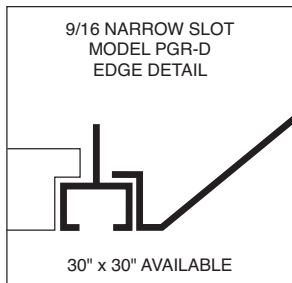
NOMINAL 12 X 12 DIFFUSER SIZE

PLAQUE POSITION

A 10"ø Plaque, 1/8" Drop



EDGE DETAILS



Vector and Armstrong World Industries are registered trademarks