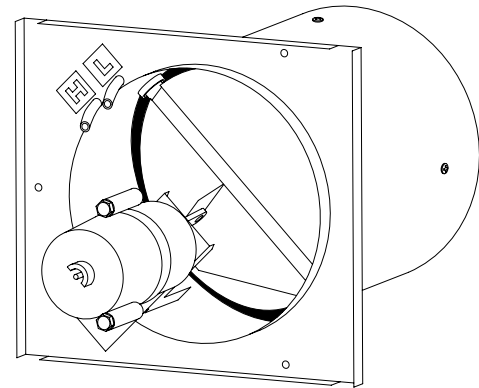
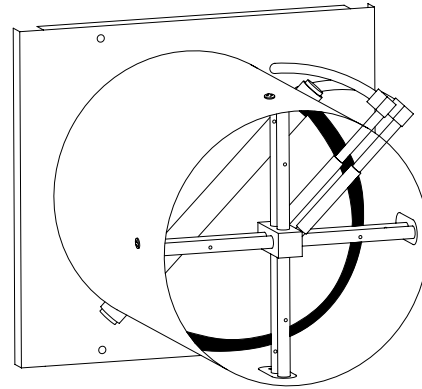


## APPLICATION

- Internal retrofit kit to replace Titus' cylindrical mechanical constant volume regulators
- Reduces system operating pressures
- Use in conjunction with central fan system retrofit from a constant to variable air volume system for fan energy savings
- Reduces or eliminates mixing with constant volume dual duct terminals
- Control strategies using pneumatic control systems – see pages F-15 – F-18 for flow sequencing ideas

## FEATURES

- Exact replacement of Titus mechanical constant volume regulators – Titus Models TSH, TSHR, TDH, HS, HSR, & HD
- Multiple RF-13 valves are used to replace multiple regulators based on design air flow rates – up to (4) RF-13 valves may be connected to one pneumatic controller.
- Blank-off plates provided for unused holes in the partition plate.
- Patented Velocity Wing multi-point cross flow sensor
- Pressure independent volume control, VAV or constant volume
- Retrofits both single duct and dual duct terminals
- Controller(s) are mounted in steel control enclosure for field attachment to the existing air terminal. Controllers are factory tested and calibrated.
- Normally closed, direct coupled actuator when used with pneumatic control systems.
- Solid 1/2"  $\varnothing$  steel damper shaft arc welded to damper blade assembly insures years of trouble free and safe operation
- Rigid, 22 gauge galvanized steel construction.
- Damper includes a tear-resistant neoprene perimeter lip seal to form a tight air seal for full shut-off applications
- Elliptical damper rotates in self-lubricating nylon bearings
- Balancing taps and calibration chart are standard to aid field adjustment



**TABLE 74**

Single Duct	Single Duct w/ Reheat	Dual Duct	Ship Date	Air Terminal Size	CFM Range	# C.V. Regulators Used
TSH	TSHR	TDH	1968 to 1973	4	75 – 250	1
				5	115 – 350	1
				6	115 – 450	2
				7	230 – 650	2
				8	250 – 850	3
				9	250 – 1050	3
				10	375 – 1350	4
				12	500 – 2000	5
				14	625 – 2700	7
HS	HSR	HD	1974 to 1994	16	750 - 4000	9
				A	125 – 400	1
				B	250 – 800	2
				C	250 – 1200	3
				D	375 – 1600	4
				E	500 – 2300	5
				F	750 – 3200	7
				G	875 – 4100	9
H	1200 – 5100	11				
J	1400 - 6000	13				

Titus® is a registered trademark. Models TSH, TSHR, TDH, HS, HSR, HD are model numbers of products manufactured by Titus®