

model SCD

Adjustable Plenum Slot Diffuser

product description

APPLICATION

- Field adjustable diffuser for one or two way horizontal discharge patterns, or vertical flow - 180° adjustable.
- Horizontal air pattern setting blankets ceiling for cooling and heating loads
- Vertical setting directs sheet of air onto a wall or window
- Excellent for both constant volume and VAV applications
- Integrates with inverted T-bar and 9/16" narrow slot grid systems. Adaptable to hard surfaces using mounting frame.

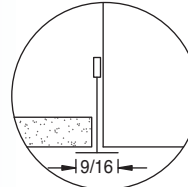
PRODUCT FEATURES

- 1,2,3, or 4 parallel slots integrated into a full height, coated steel supply plenum for optimum performance
- 3/4", 1", 1-1/2" slot widths
- 24", 36", 48", 60" nominal lengths
- Integral supply air plenum minimizes air leakage
- Flat black finish on exposed surfaces/Factory attached T-Bars are white
- Model SCR for ceiling plenum return

OPTIONS

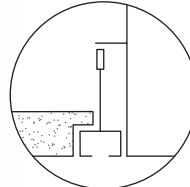
- 1/2" Internal glass fiber insulation. External insulation, and "fiberless" insulating systems available.
- T-Bar Clips
- Side Tees
- Round volume damper in inlet.
- Custom lengths, low profile heights, oval inlets
- Surface mounting frames
- End cap notches for straddle applications
- Cross notch for crossover applications

Model SCD-L9
9/16" Lay-In T-Bar



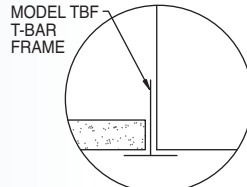
END EDGE DETAIL

Model SCD-D
9/16" Narrow Slot

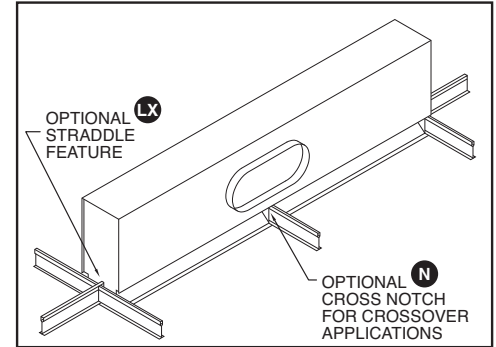
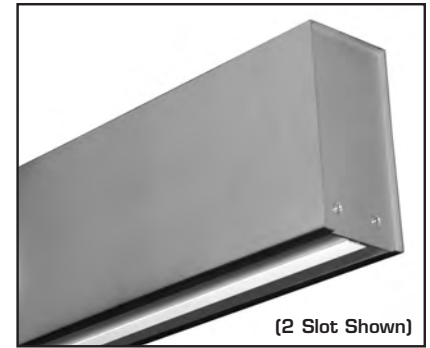


END EDGE DETAIL

Model SCD-S
Surface Adapter



END EDGE DETAIL



TYPICAL 2 SLOT INSTALLATION

Model SCD-L - Lay-In T-Bar

INTERNAL INSULATION (OPTIONAL)*

1-1/2"

1-1/2"

T-BAR BY OTHERS

1/2"

OPTIONAL CROSS NOTCH FOR CROSSOVER APPLICATIONS (N)

NOMINAL LENGTH - 1/4"

NOMINAL LENGTH

CENTER T-BARS, STANDARD ON 3 & 4 SLOT OPTIONAL ON 2 SLOT (1" WIDE)

	SLOT WIDTH A	B				NOM LENGTH
		1-SLOT	2-SLOT	3-SLOT	4-SLOT	
SCD-75	3/4"	1-3/4	3-1/2	5-1/4	7	24, 30, 36, 48, 60
SCD-10	1"	2	4	6	8	
SCD-15	1-1/2"	2-1/2"	5	7	10	

	Inlet Size	X	Y	H
1 & 2 SLOT	5" Ø	4-7/8	4-7/8	8
	6" Oval	6-13/32	4-7/8	8
	8" Oval	9-19/32	4-7/8	8
	10" Oval	12-23/32	4-7/8	8
	12" Oval	14-5/32	7-7/8	11
3 & 4 SLOT	5" Ø	4-7/8	4-7/8	11
	6" Ø	5-7/8	5-7/8	11
	8" Ø	7-7/8	7-7/8	11
	10" Oval	11	7-7/8	11
	12" Oval	14-5/32	7-7/8	11

APPLICATION

- Ceiling plenum return unit
- Identical match for Model SCD supply diffusers
- Integrates with inverted T-bar and 9/16" narrow slot grid systems. Adaptable to hard surfaces using mounting frame.

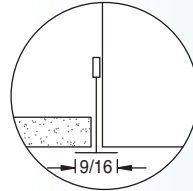
PRODUCT FEATURES

- 1,2,3, or 4 parallel slots integrated into a coated steel housing
- 3/4", 1", 1-1/2" slot widths
- 24", 36", 48", 60" nominal lengths
- Flat black finish on exposed surfaces/Factory attached T-Bars are white

OPTIONS

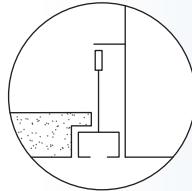
- 1/2" Internal glass fiber insulation.
- T-Bar Clips
- Side Tees
- Custom lengths
- Surface mounting frames
- End cap notches for straddle applications
- Cross notch for crossover applications

Model SCD-L9
9/16" Lay-In T-Bar



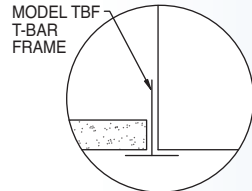
END EDGE DETAIL

Model SCD-D
9/16" Narrow Slot

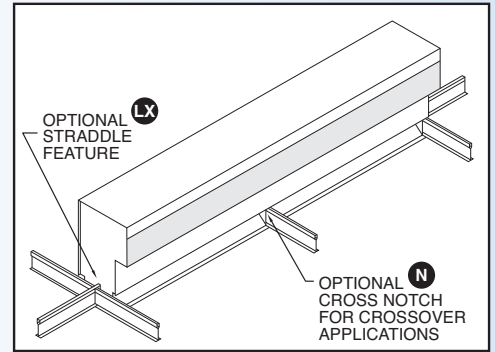


END EDGE DETAIL

Model SCD-S
Surface Adapter



END EDGE DETAIL



TYPICAL 2 SLOT INSTALLATION

Model SCR-L - Lay-In T-Bar

INTERNAL INSULATION (OPTIONAL)*

OPTIONAL CROSS NOTCH FOR CROSSOVER APPLICATIONS **N**

8

NOMINAL LENGTH - 1/4

NOMINAL LENGTH

1/2

NOTCH **Lx**

T-BAR BY OTHERS

A

B

CENTER T-BARS, STANDARD ON 3 & 4 SLOT OPTIONAL ON 2 SLOT (1" WIDE)

	SLOT WIDTH A	B				NOM LENGTH
		1-SLOT	2-SLOT	3-SLOT	4-SLOT	
SCR-75	3/4"	1-3/4	3-1/2	5-1/4	7	24, 30, 36, 48, 60
SCR-10	1"	2	4	6	8	
SCR-15	1-1/2"	2-1/2"	5	7	10	