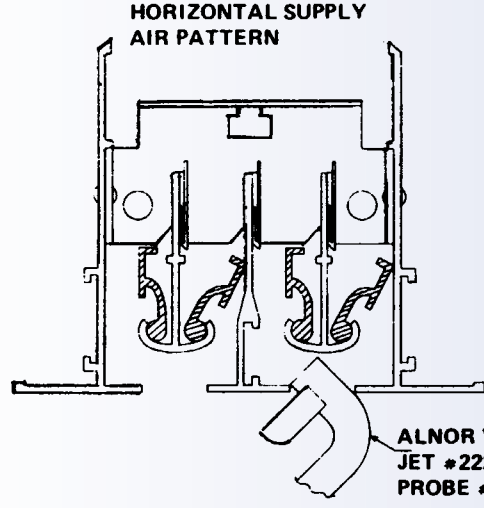
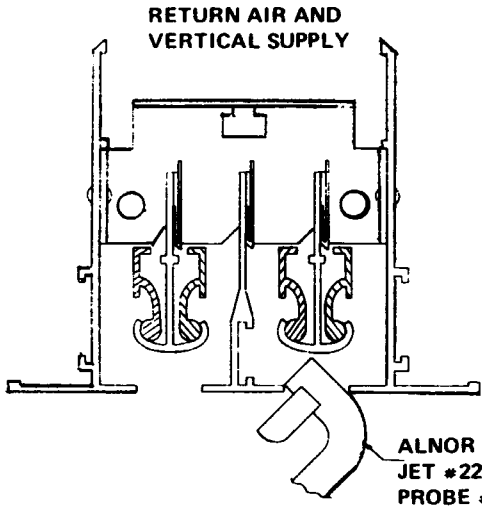
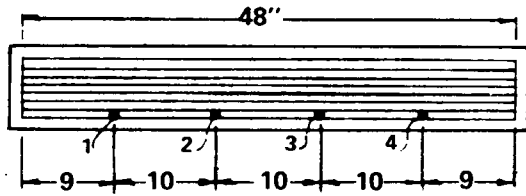


**ANEMOSTAT SLAD-50, 75, 100 & 150 BALANCING FACTORS (INCLUDING ALL BORDER STYLES)**



ALNOR VELOMETER  
JET #2220-A OR  
PROBE #6070

ALNOR VELOMETER  
JET #2220-A OR  
PROBE #6070



- FOR LENGTHS LESS THAN 48" TAKE FOUR EQUI-SPACED READINGS.
- FOR UNITS LONGER THAN 48" TAKE ONE READING PER FOOT OF LENGTH.

| MODEL    | A <sub>k</sub> VALUES |                   |                 |
|----------|-----------------------|-------------------|-----------------|
|          | VERTICAL SUPPLY       | HORIZONTAL SUPPLY | RETURN          |
| SLAD-50  | .031                  | .025              | .035            |
| SLAD-75  | .052                  | .037              | .039            |
| SLAD-100 | .051                  | .035              | Consult Factory |
| SLAD-150 | .064                  | .045              | Consult Factory |

CFM = V<sub>k</sub> x A<sub>k</sub> x No. of SLOTS x Length in Feet

1. Return A<sub>k</sub> values applicable only for units with internal components.

Linear Diffusers