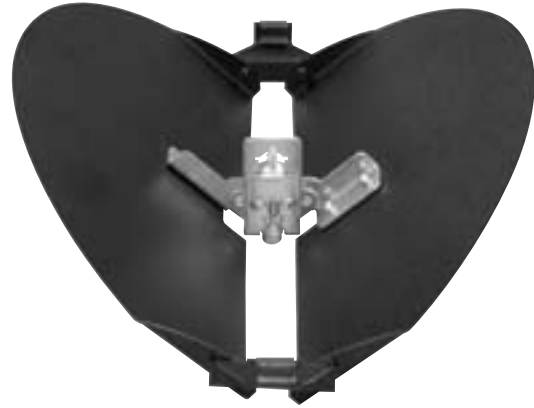


APPLICATION

- An economical, effective means to control the air quantity feeding round neck diffusers.

PRODUCT FEATURES

- Coated steel construction
- The smooth "butterfly" action of two pivoting blades provides continuous adjustment.
- The blades are conveniently adjusted from the room side of the diffuser, and are designed to hold their position indefinitely.
- The VD damper can be added to any Anemostat round neck diffuser or SRA square to round adapter.
- Flex duct bends may interfere with operation of damper and is not recommended.
- 5/32" hex key required.
- Field installed accessory



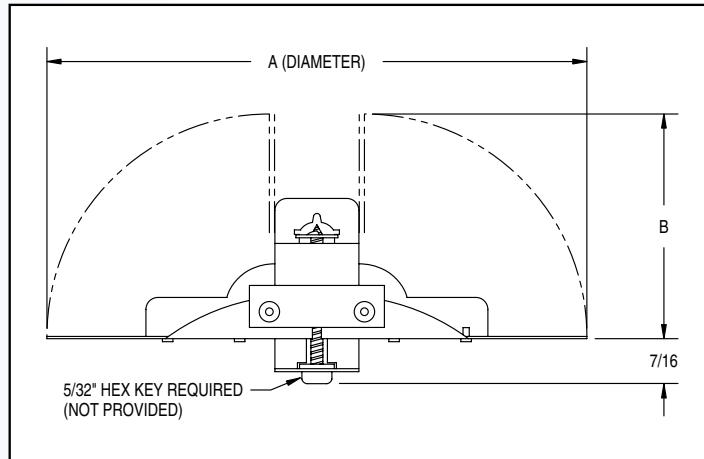
DAMPER OPTIONS

- Available in aluminum or 304/316 stainless steel (operator parts are galvanized steel).

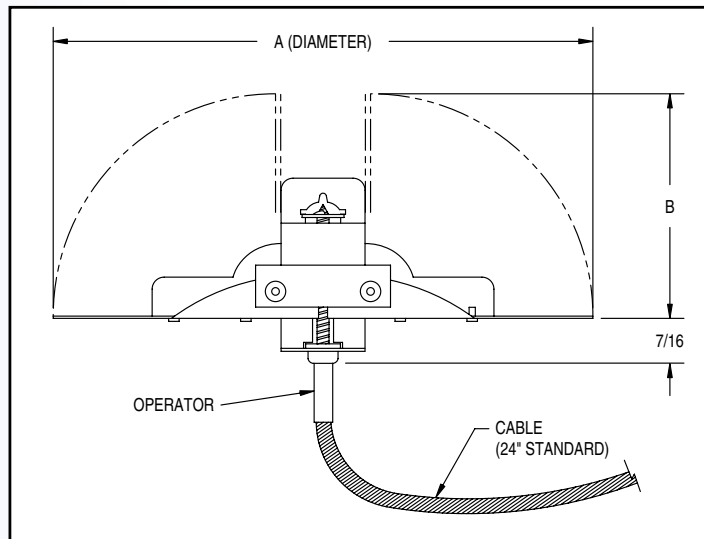
SIZE	A	B
4"	3-5/8	1-5/8
5"	4-5/8	2-1/8
6"	5-5/8	2-5/8
7"	6-5/8	3-1/8
8"	7-5/8	3-5/8
9"	8-5/8	4-1/8
10"	9-5/8	4-5/8
12"	11-5/8	5-5/8
14"	13-5/8	6-5/8
15"	14-5/8	7-1/8
16"	15-5/8	7-5/8
18"	17-5/8	8-5/8

All dimensions in inches

Model VD



Model VD-C



Damper designed for balancing only, not a full shut-off device.