



Anemostat® SUBMITTAL

1220 Watson Center Road • Carson, CA 90745-4206
(310) 835-7500 • FAX (310) 835-0448
airhelp@anemostat.com • www.anemostat.com

Model **AD-O** LINEAR DIFFUSER PLENUM **OFFSET TYPE**

2", 2-1/2", 3" SLOT WIDTH

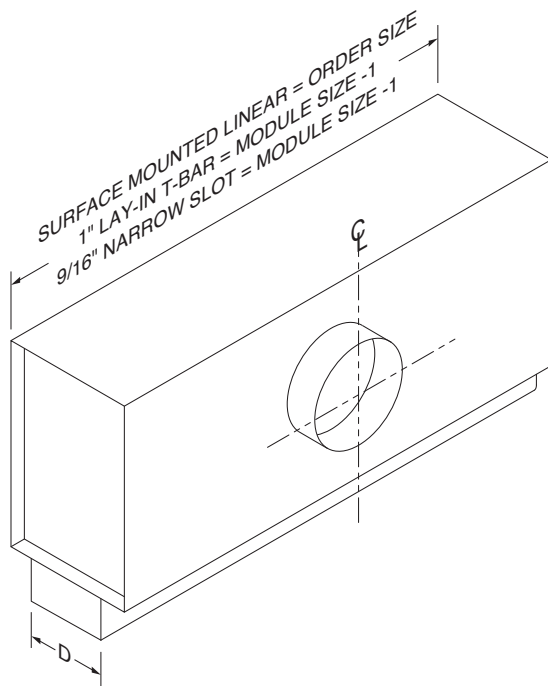
LINEAR DIFFUSERS

PRODUCT FEATURES

- Supply or return air plenum
- Zinc-coated steel construction

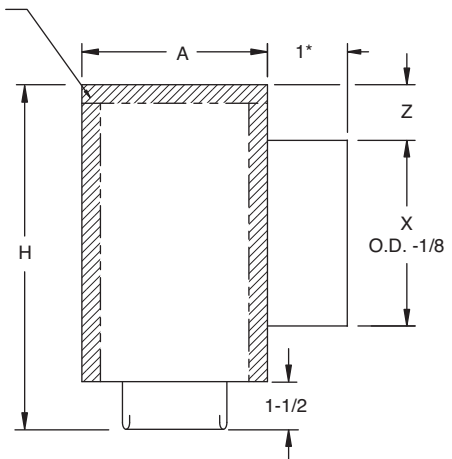
- Use with the following **diffuser** models:
FF/PJ-S, -BF, -X, -L, -L9

- Use with the following **return** models:
FFR-S, -BF, -X, -L, -L9



OPTIONAL INSULATION
(END CAPS NOT INSULATED)

- 1/2" FIBERGLASS
- 3/8" CLOSED CELL FOAM
- 1/2" FOIL FACED



MODEL AD • DIMENSIONAL DATA									
		AD-O-20		AD-O-25		AD-O-30			
# SLOTS	2" SLOTS		2-1/2" SLOTS		3" SLOTS		# SLOTS		
	A	D	A	D	A	D			
1	6	4-5/16	7	5-5/16	8	6-5/16	1		
2	10	8-5/16	12	10-5/16	14	12-5/16	2		
3	14	12-5/16	17	15-5/16	20	18-5/16	3		
4	18	16-5/16	22	20-5/16	26	24-5/16	4		

Nom Inlet Φ	H	Z
X		
4	9-3/8	2
5	9-3/8	1-1/2
6	9-3/8	1
7	10-3/8	1
8	11-3/8	1
9	12-3/8	1
10	13-3/8	1
12	15-3/8	1
14	17-3/8	1
16	19-3/8	1

NOTES:

1. See submittal sheet for Free Flo / Pro Jet "CM" Frames

All dimensions are in inches.

JOB NAME:

SUBMITTED BY: